



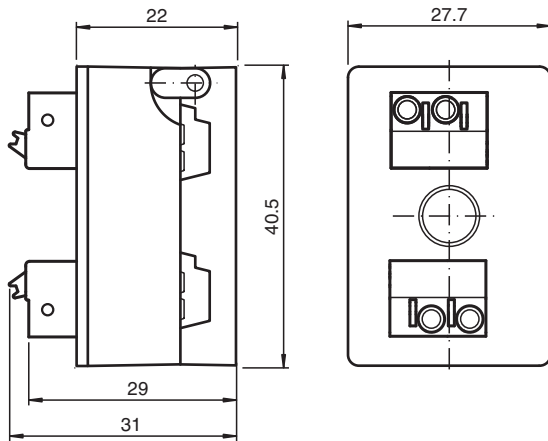
AS-Interface splitter box VAZ-T1-FK-G10-CLAMP1

- One piece housing
- Simple and fast mounting
- High current rating
- Gold-plated and machined contacts

Splitter box G10, 2 x AS-Interface to 2 double terminals



Dimensions



Technical Data

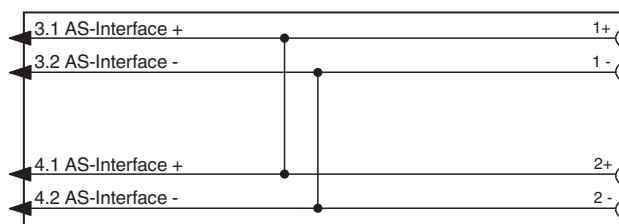
General specifications	
Construction type	Spring terminal flat cable terminals
Electrical specifications	
Rated operating voltage	$U_e \leq 60$ V PELV
Rated operating current	$I_e \leq 8$ A
Protection class	III
Surge protection	overvoltage category III
Compliance with standards and directives	
Standard conformity	
Degree of protection	EN 60529:2000
Approvals and certificates	
UL approval	cULus Listed, Type 1 enclosure
Application	for use in NFPA 79 applications
Maximum permissible operating voltage	max. 32 V
Maximum permissible ambient temperature	max. 55 °C (max. 131 °F)
UL File Number	E223772
Ambient conditions	

Release date: 2025-03-03 Date of issue: 2025-03-03 Filename: 216029_eng.pdf

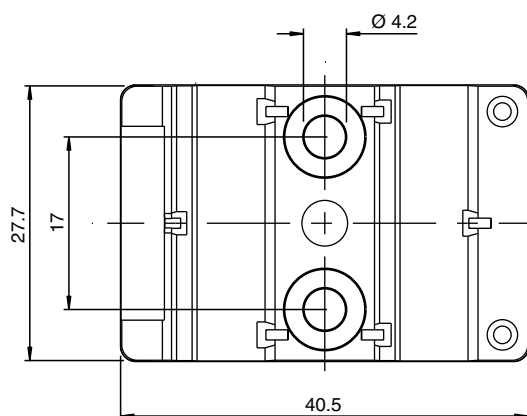
Technical Data

Ambient temperature	-25 ... 75 °C (-13 ... 167 °F)
Storage temperature	-25 ... 85 °C (-13 ... 185 °F)
Pollution degree	2
Mechanical specifications	
Degree of protection	IP20
Connection	Flat cable: cable piercing method Spring terminal, max. 1.5 mm ²
Material	
Contacts	CuSn / Au
Housing	PBT PC
Mounting screw	Stainless steel 1.4305 / AISI 303
Mass	40 g
Tightening torque, fastening screws	1.65 Nm
Dimensions	
Height	22 mm
Width	27.7 mm
Length	40.5 mm

Connection



Mounting



You may screw the device onto a level mounting surface using two M4 attachment screws. The attachment screws are not included.