



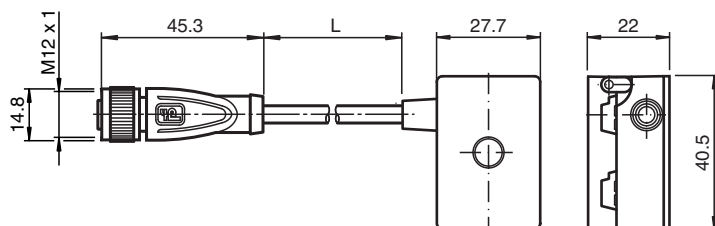
AS-Interface splitter box VAZ-2T1-FK-G10-1M-PUR-V1-G

- One piece housing
- Simple and fast mounting
- Gold-plated and machined contacts
- Oil and abrasion resistant PUR line appropriate for drag chains
- Immunity to vibration
- Degree of protection IP68 / IP69K
- Halogen-free

Splitter box G10, AS-Interface and auxiliary voltage to 1 x M12 round connector



Dimensions



Technical Data

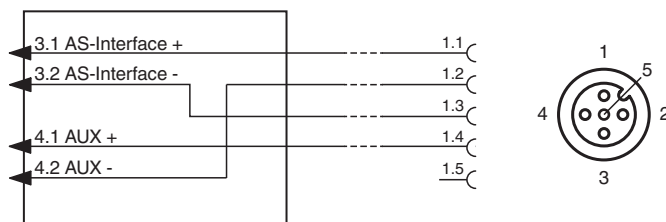
| General specifications | | | |
|------------------------------------------|------------------------------------------------------------------------------|-----------------------------------------|--|
| Construction type | Socket, straight Flat cable terminals AS-Interface/ext. auxiliary voltage | | |
| Electrical specifications | | | |
| Rated operating voltage | U_e | ≤ 60 V PELV | |
| Rated operating current | I_e | ≤ 3 A AS-Interface, ≤ 3 A AUX | |
| Protection class | III | | |
| Current loading capacity | max. 4 A | | |
| Surge protection | overvoltage category III | | |
| Pulse withstand voltage | 800 V | | |
| Compliance with standards and directives | | | |
| Standard conformity | | | |
| Degree of protection | EN 60529:2000 | | |
| Approvals and certificates | | | |
| UL approval | cULus Listed, Type 1 enclosure | | |
| Application | for use in NFPA 79 applications | | |
| Maximum permissible operating voltage | max. 32 V | | |

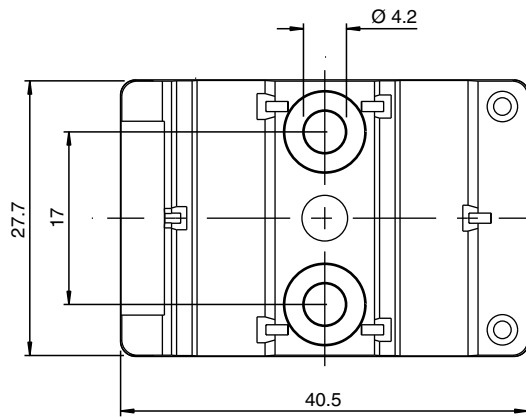
Release date: 2024-12-12 Date of issue: 2024-12-12 Filename: 216036_eng.pdf

Technical Data

| | |
|-------------------------------------|---------------------------------------------------------------------------------------------------------------------------------------------------------------------------|
| UL File Number | E223772 |
| Ambient conditions | |
| Ambient temperature | -25 ... 75 °C (-13 ... 167 °F) |
| Storage temperature | -25 ... 85 °C (-13 ... 185 °F) |
| Pollution degree | 3 |
| Mechanical specifications | |
| Degree of protection | IP67 IP67 / IP68 / IP69K with flat cable VAZ-FK-S-* |
| Connection | Flat cable AS-Interface: cable piercing method Flat cable ext. auxiliary voltage U_{AUX} : Insulation penetration technology Plug connection: M12 x 1 socket (V1) |
| Material | |
| Contacts | CuSn / Au |
| Housing | PBT PC |
| Body | PUR, black |
| Cable | PUR |
| Mounting screw | Stainless steel 1.4305 / AISI 303 |
| Cable | |
| Sheath diameter | Ø4,3 mm |
| Color | black |
| Cores | 4 x 0.34 mm ² |
| Length | L 1 m |
| Mass | 75 g |
| Tightening torque, fastening screws | 1.65 Nm |
| Dimensions | |
| Height | 22 mm |
| Width | 27.7 mm |
| Length | 40.5 mm |

Connection



Mounting

You may screw the device onto a level mounting surface using two M4 attachment screws. The attachment screws are not included.