



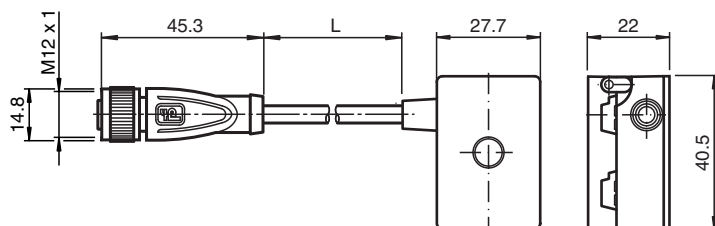
AS-Interface splitter box VAZ-2T1-FK-G10-2M-PUR-V1-G

- One piece housing
- Simple and fast mounting
- Gold-plated and machined contacts
- Oil and abrasion resistant PUR line appropriate for drag chains
- Immunity to vibration
- Degree of protection IP68 / IP69K
- Halogen-free

Splitter box G10, AS-Interface and auxiliary voltage to 1 x M12 round connector



Dimensions



Technical Data

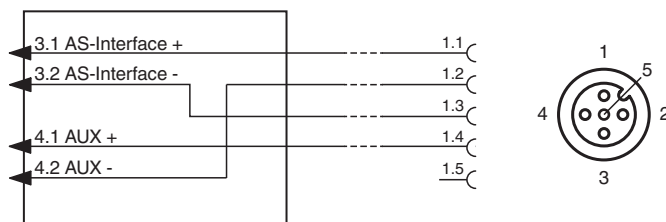
General specifications			
Construction type	Socket, straight Flat cable terminals AS-Interface/ext. auxiliary voltage		
Electrical specifications			
Rated operating voltage	U_e	≤ 60 V PELV	
Rated operating current	I_e	≤ 3 A AS-Interface, ≤ 3 A AUX	
Protection class	III		
Current loading capacity	max. 4 A		
Surge protection	overvoltage category III		
Pulse withstand voltage	800 V		
Compliance with standards and directives			
Standard conformity			
Degree of protection	EN 60529:2000		
Approvals and certificates			
UL approval	cULus Listed, Type 1 enclosure		
Application	for use in NFPA 79 applications		
Maximum permissible operating voltage	max. 32 V		

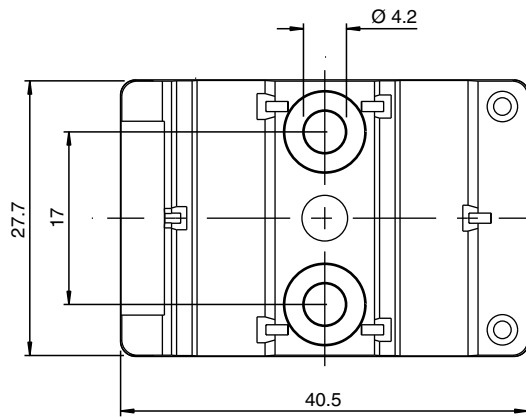
Release date: 2024-12-12 Date of issue: 2024-12-12 Filename: 216037_eng.pdf

Technical Data

UL File Number	E223772
Ambient conditions	
Ambient temperature	-25 ... 75 °C (-13 ... 167 °F)
Storage temperature	-25 ... 85 °C (-13 ... 185 °F)
Pollution degree	3
Mechanical specifications	
Degree of protection	IP67 IP67 / IP68 / IP69K with flat cable VAZ-FK-S-*
Connection	Flat cable AS-Interface: cable piercing method Flat cable ext. auxiliary voltage U_{AUX} : Insulation penetration technology Plug connection: M12 x 1 socket (V1)
Material	
Contacts	CuSn / Au
Housing	PBT PC
Body	PUR, black
Cable	PUR
Mounting screw	Stainless steel 1.4305 / AISI 303
Cable	
Sheath diameter	Ø4,3 mm
Color	black
Cores	4 x 0.34 mm ²
Length	L 2 m
Mass	100 g
Tightening torque, fastening screws	1.65 Nm
Dimensions	
Height	22 mm
Width	27.7 mm
Length	40.5 mm

Connection



Mounting

You may screw the device onto a level mounting surface using two M4 attachment screws. The attachment screws are not included.