



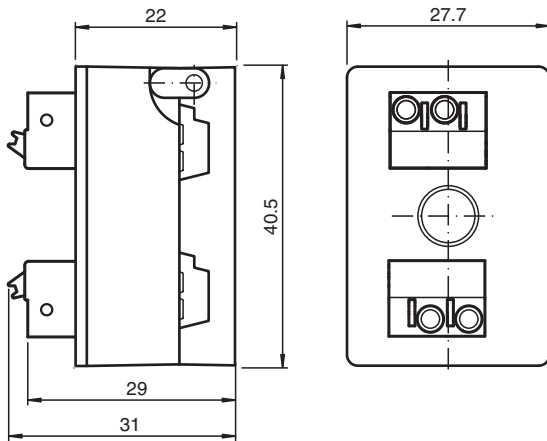
AS-Interface splitter box VAZ-2T1-FK-G10-CLAMP1

- One piece housing
- Simple and fast mounting
- High current rating
- Gold-plated and machined contacts

Splitter box G10, AS-Interface and auxiliary voltage each to double terminals



Dimensions



Technical Data

General specifications

Construction type	Spring terminal flat cable terminals AS-Interface/auxiliary voltage
-------------------	--

Electrical specifications

Rated operating voltage	U_e	≤ 60 V PELV
Rated operating current	I_e	≤ 8 A AS-Interface, ≤ 8 A AUX
Protection class		III
Surge protection		overvoltage category III
Pulse withstand voltage		800 V

Compliance with standards and directives

Standard conformity		
Degree of protection		EN 60529:2000

Approvals and certificates

UL approval		cULus Listed, Type 1 enclosure
Application		for use in NFPA 79 applications
Maximum permissible operating voltage		max. 32 V
UL File Number		E223772

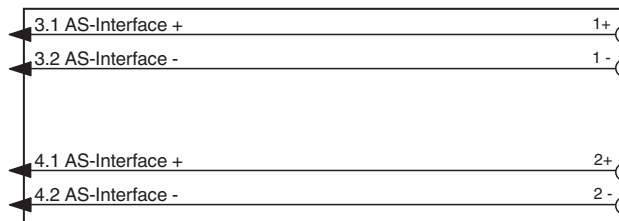
Ambient conditions

Release date: 2025-03-03 Date of issue: 2025-03-03 Filename: 216042_eng.pdf

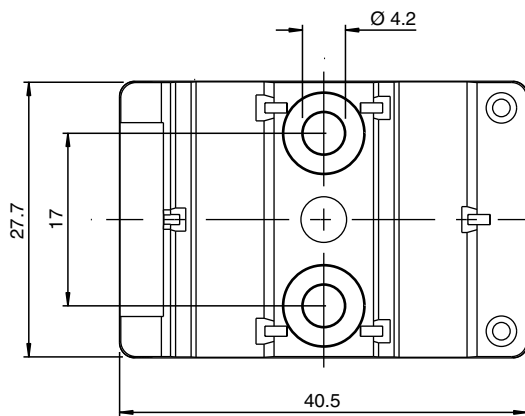
Technical Data

Ambient temperature	-25 ... 75 °C (-13 ... 167 °F)
Storage temperature	-25 ... 85 °C (-13 ... 185 °F)
Pollution degree	2
Mechanical specifications	
Degree of protection	IP20
Connection	Flat cable AS-Interface: cable piercing method Flat cable ext. auxiliary voltage U_{AUX} : Insulation penetration technology Spring terminal, max. 1.5 mm ²
Material	
Contacts	CuSn / Au
Housing	PBT PC
Mounting screw	Stainless steel 1.4305 / AISI 303
Mass	40 g
Tightening torque, fastening screws	1.65 Nm
Dimensions	
Height	22 mm
Width	27.7 mm
Length	40.5 mm

Connection



Mounting



You may screw the device onto a level mounting surface using two M4 attachment screws. The attachment screws are not included.