



Stack light solid light element

VAZ-LAMP-70MM-RD

- Modular design
- Flexible combination of signal elements
- Bayonet system for simple mounting and dismounting
- 70-mm-series

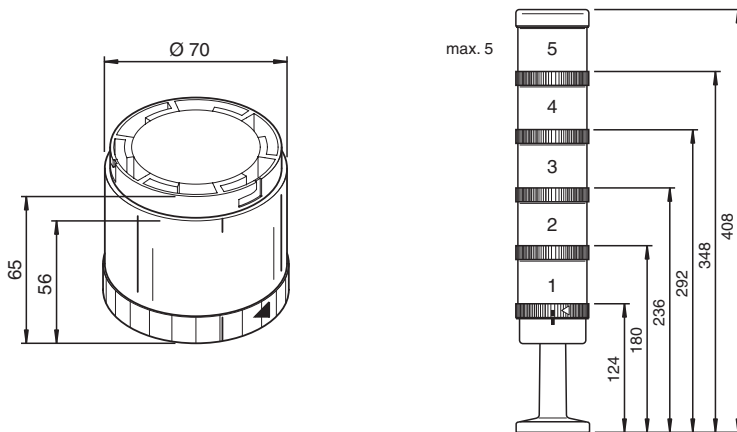
Stack light solid light element, red



Function

The element lights using an incandescent, low-cost bulb. It has been designed and tested according to EN 60947-5-1. It is available in a variety of colors and is easy to fit into the corresponding connection element by means of a bayonet system. Its modular design permits any combinations and has reduced operating and storage costs.

Dimensions



Technical Data

General specifications

UL File Number	E223176
Color	red

Electrical specifications

Rated operating voltage	U_e	24 V AC/DC
Rated operating current	I_e	illuminant dependend
Protection class		III
Bulb		24 V / max. 7 W holder BA15D

Compliance with standards and directives

Directive conformity		
EMC Directive 2004/108/EC		EN 60947-5-1 EN 60947-1
Standard conformity		



Technical Data

Degree of protection	EN 60529
Ambient conditions	
Ambient temperature	-20 ... 60 °C (-4 ... 140 °F)
Mechanical specifications	
Degree of protection	IP65
Connection	Bayonet system
Life span	illuminant dependend


Scope of Delivery

Bulbs are not included.

Matching System Components

	VAZ-CLAMP-70MM	Stack light terminal base with cover plate
	VAZ-CLAMP-70MM-90°	Stack light terminal base with cover plate

Accessories

	VAZ-LAMP-70MM-BULB-5W/24V	Bulb for solid light element stack light
------------------------------------------------------------------------------------	----------------------------------	------------------------------------------