



## Stack light solid light element

### VAZ-LAMP-70MM-GN

- Modular design
- Flexible combination of signal elements
- Bayonet system for simple mounting and dismounting
- 70-mm-series

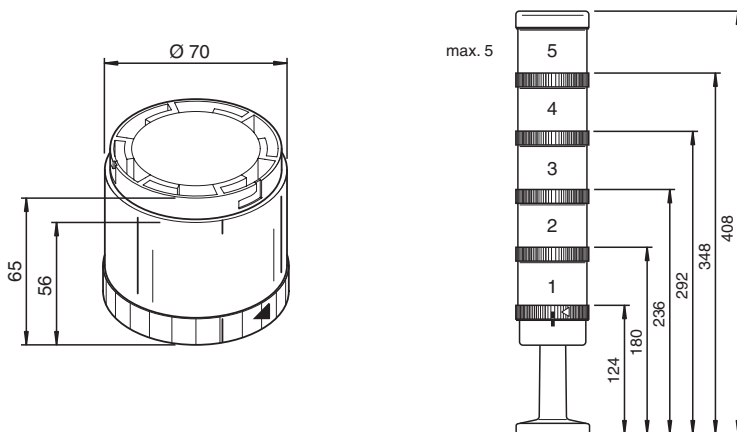
Stack light permanent light element, green



### Function

The element lights using an incandescent, low-cost bulb. It has been designed and tested according to EN 60947-5-1. It is available in a variety of colors and is easy to fit into the corresponding connection element by means of a bayonet system. Its modular design permits any combinations and has reduced operating and storage costs.

### Dimensions



### Technical Data

#### General specifications

UL File Number	E223176
Color	green

#### Electrical specifications

Rated operating voltage	$U_e$	24 V AC/DC
Rated operating current	$I_e$	illuminant dependend
Protection class		III
Bulb		24 V / max. 7 W holder BA15D

#### Compliance with standards and directives

Directive conformity	
EMC Directive 2004/108/EC	EN 60947-5-1 EN 60947-1
Standard conformity	

Release date: 2022-08-29 Date of issue: 2022-08-29 Filename: 216077\_eng.pdf



## Technical Data

Degree of protection	EN 60529
<b>Ambient conditions</b>	
Ambient temperature	-20 ... 60 °C (-4 ... 140 °F)
<b>Mechanical specifications</b>	
Degree of protection	IP65
Connection	Bayonet system
Life span	illuminant dependend


## Scope of Delivery

Bulbs are not included.

## Matching System Components

	<b>VAZ-CLAMP-70MM</b>	Stack light terminal base with cover plate
	<b>VAZ-CLAMP-70MM-90°</b>	Stack light terminal base with cover plate

## Accessories

	<b>VAZ-LAMP-70MM-BULB-5W/24V</b>	Bulb for solid light element stack light
--	----------------------------------	--