



Stack light solid light element

VAZ-LAMP-70MM-YE

- Modular design
- Flexible combination of signal elements
- Bayonet system for simple mounting and dismounting
- 70-mm-series

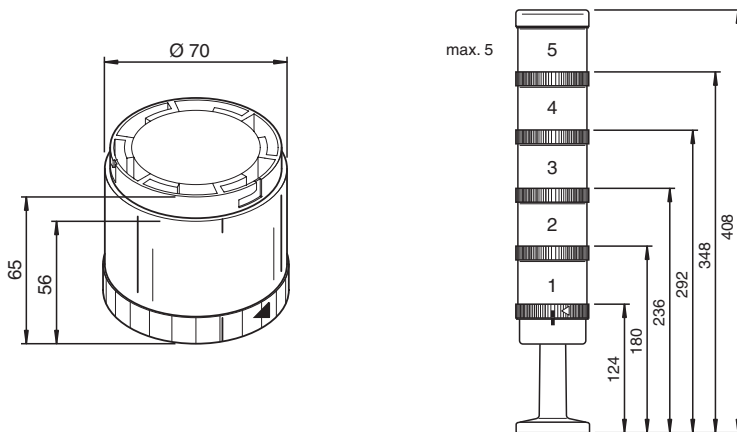
Stack light solid light element, yellow



Function

The element lights using an incandescent, low-cost bulb. It has been designed and tested according to EN 60947-5-1. It is available in a variety of colors and is easy to fit into the corresponding connection element by means of a bayonet system. Its modular design permits any combinations and has reduced operating and storage costs.

Dimensions



Technical Data

General specifications		
UL File Number		E223176
Color		yellow
Electrical specifications		
Rated operating voltage	U _e	24 V AC/DC
Rated operating current	I _e	illuminant dependend
Protection class		III
Bulb		24 V / max. 7 W holder BA15D
Compliance with standards and directives		
Directive conformity		
EMC Directive 2004/108/EC		EN 60947-5-1 EN 60947-1
Standard conformity		
Degree of protection		EN 60529
Ambient conditions		
Ambient temperature		-20 ... 60 °C (-4 ... 140 °F)

Release date: 2022-08-29 Date of issue: 2022-08-29 Filename: 216078_eng.pdf

Technical Data



Mechanical specifications

Degree of protection	IP65
Connection	Bayonet system
Life span	illuminant dependend


Scope of Delivery

Bulbs are not included.

Matching System Components

	VAZ-CLAMP-70MM	Stack light terminal base with cover plate
	VAZ-CLAMP-70MM-90°	Stack light terminal base with cover plate

Accessories

	VAZ-LAMP-70MM-BULB-5W/24V	Bulb for solid light element stack light
---	----------------------------------	--