

Place Holder Barrier KFD0-LGH-5T

- K-System place holder module
- Housing width 20 mm
- Marshalling for field and control side circuits
- Configurable via plug-in jumpers
- Two additional green terminal blocks supplied separately

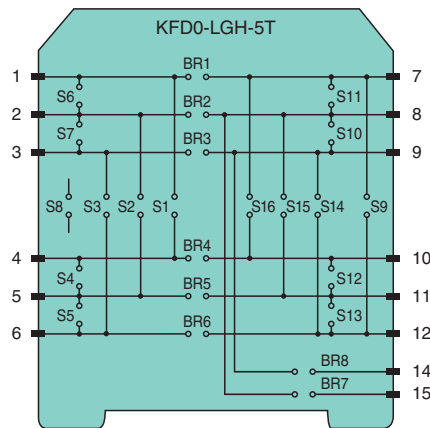
Place holder barrier for KF modules with 2 additional green terminal blocks



Function

The device is used in cable distribution cables. The device improves accessibility and compactness within a switch cabinet. Different configurations are possible by using wire jumpers. The wire jumpers are located in the device. To configure the device, you have to open the device.

Connection



Zone 0, 1, 2

Zone 2

Technical Data

Electrical specifications

Rated voltage	U_r	$\leq 50 \text{ V}$
Rated current	I_r	$\leq 2 \text{ A}$

Indicators/settings

Configuration	via internal wire jumpers
Labeling	space for labeling at the front

Conformity

Degree of protection	IEC 60529
----------------------	-----------

Ambient conditions

Ambient temperature	$-20 \dots 60 \text{ }^\circ\text{C}$ ($-4 \dots 140 \text{ }^\circ\text{F}$)
---------------------	---

Mechanical specifications

Degree of protection	IP20
----------------------	------

Release date: 2022-01-18 Date of issue: 2022-01-18 Filename: 216165_eng.pdf

Technical Data

Connection	screw terminals
Mass	approx. 120 g
Dimensions	20 x 119 x 115 mm (0.8 x 4.7 x 4.5 inch) (W x H x D) , housing type B2
Mounting	on 35 mm DIN mounting rail acc. to EN 60715:2001
Data for application in connection with hazardous areas	
Certificate	PF 08 CERT 1214 X
Marking	⊕ II 3G Ex nA IIC T4 Gc
Directive conformity	
Directive 2014/34/EU	EN 60079-0:2012+A11:2013 , EN 60079-15:2010
General information	
Supplementary information	Observe the certificates, declarations of conformity, instruction manuals, and manuals where applicable. For information see www.pepperl-fuchs.com .

Assembly

Front view

