

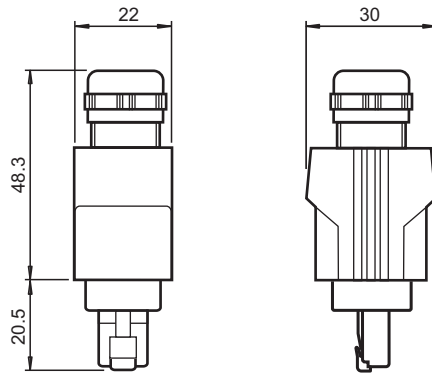


Connector ICZ-AIDA1-V45

Plug connector for RJ-45



Dimensions



Technical Data


General specifications			
Number of pins			4
Electrical specifications			
Rated current	I_r		1.75 A
Nominal voltage			50 V
Compliance with standards and directives			
Standard conformity			
Standards			CAT5 (IEC 11801:2002) , CAT5e (TIA 568B:2001)
Ambient conditions			
Ambient temperature			-40 ... 70 °C (-40 ... 158 °F)
Mechanical specifications			
Degree of protection			IP65/IP67
Connection			RJ-45
Material			
Contacts			Cu alloy
Contact surface			Au
Housing			Zinc diecast, nickel-plated

Release date: 2021-02-04 Date of issue: 2021-02-04 Filename: 217762_eng.pdf

Technical Data

Cable	
Sheath diameter	5 mm ... 8 mm
Core diameter	0.13 mm ² ... 0.32 mm ² (solid) 0.14 mm ² ... 0.36 mm ² (stranded) 26 ... 22 AWG (solid/stranded)
Mass	68 g

Accessories

	CBL-PUR-E1S-GN-04x034-100M	Cable, PUR/PP, 4-core green, Cat5e, shielded, UL approved, drag chain suitable
---	-----------------------------------	--