



## Retroreflective area sensor

RLG28-55/115b/136



- Retro-reflective area sensor with 6 light beams in standard photoelectric-sensor enclosure
- Connection compatibly replaces single beam photoelectric sensor
- Reliable detection of the front edge of the object irrespective of its shape and position
- Constant object detection from 12 mm within the entire detection area
- Reliable detection of all surfaces irrespective of the object texture
- Switches when contrast difference 10%
- Bright, highly visible transmitter beams guarantee convenient alignment of the sensor

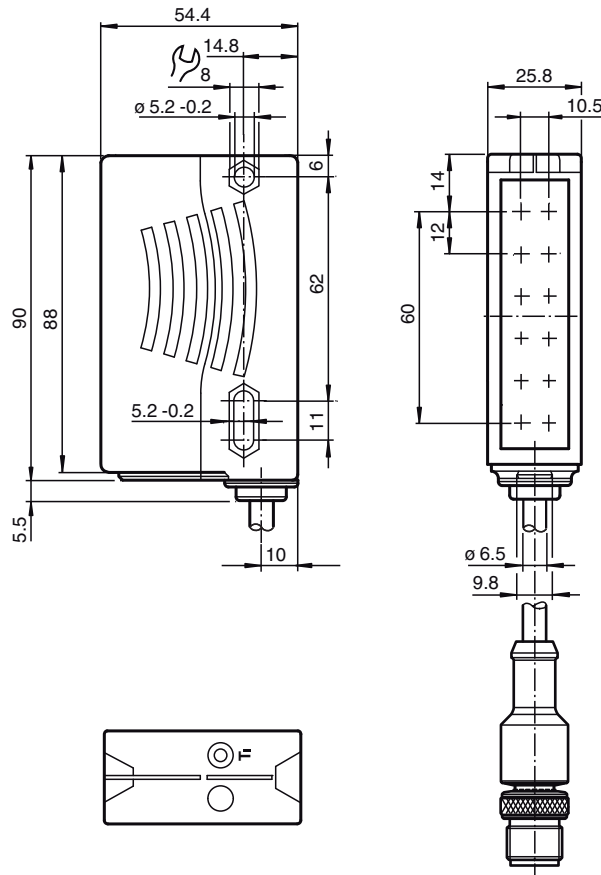
Retroreflective area sensor with 6 beams in a widely used standard photoelectric housing, red light, 4 m detection range, light/dark on, push-pull output, fixed cable with M12 plug



### Function

The RLG28 retro-reflective area sensor contains several transmitters and receivers in one housing and with a reflector positioned opposite forms a 60 mm detection area over a sensing range of 4 m. When the light beams are interrupted by an object, the switching function is triggered. The smallest detectable object size is 12 mm. The RLG28 switches at a 10% contrast difference with a response time of 1 ms. An intelligent gain control compensates for effects such as dirt, misalignment, and temperature.

**Dimensions**



**Technical Data**

**General specifications**

Effective detection range	0 ... 4 m
Reflector distance	Reflector A80: 0.4 ... 4 m , H85-2 reflector: 0.2 ... 4 m , Foil reflector OFR-100/100: 0.4 ... 3 m
Threshold detection range	5.6 m
Sensing range	typical 60 mm , Object has to cover the reflector completely in one dimension
Reference target	Reflector A80 H85-2 reflector Foil reflector OFR-100/100
Light source	LED
Light type	modulated visible red light , 625 nm
Polarization filter	yes
Number of beams	6
Diameter of the light spot	approx. 220 mm at detection range 4 m
Opening angle	+/- 2.5 °
Ambient light limit	5000 Lux
Resolution	12 mm

**Functional safety related parameters**

MTTF <sub>d</sub>	310 a
Mission Time (T <sub>M</sub> )	20 a
Diagnostic Coverage (DC)	0 %

**Indicators/operating means**

Operation indicator	LED green, statically lit Power on Undervoltage indicator: Green LED, pulsing (approx. 0.8 Hz) short-circuit : LED green flashing (approx. 4 Hz)
---------------------	--

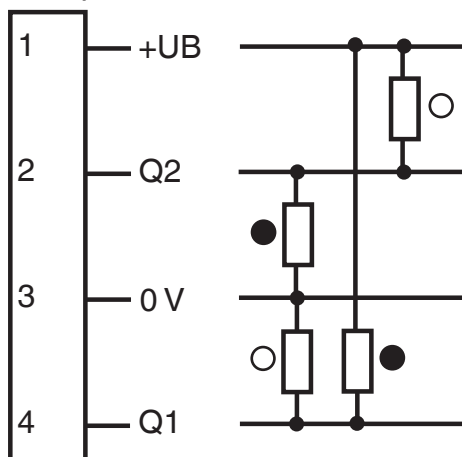
Release date: 2023-03-28 Date of issue: 2023-03-28 Filename: 217870\_eng.pdf

## Technical Data

Function indicator		2 LEDs yellow, light up when light beam is free, flash when falling short of the stability control, off when light beam is interrupted Teach-In : LED yellow/green; equiphase flashing; 2,5 Hz Changeover signal tracking: LED yellow, 1 Hz flashing / 2x flashing
Control elements		Teach-In key
<b>Electrical specifications</b>		
Operating voltage	$U_B$	12 ... 30 V DC
Ripple		max. 10 %
No-load supply current	$I_0$	max. 50 mA
<b>Output</b>		
Switching type		light/dark on
Signal output		2 push-pull (4 in 1) outputs, complementary, short-circuit proof, reverse polarity protected
Switching voltage		max. 30 V DC
Switching current		max. 100 mA
Voltage drop	$U_d$	$\leq 2.5$ V DC
Switching frequency	$f$	230 Hz
Response time		1 ms
<b>Conformity</b>		
Product standard		EN 60947-5-2
<b>Approvals and certificates</b>		
UL approval		cULus Listed, Class 2 Power Source
CCC approval		CCC approval / marking not required for products rated $\leq 36$ V
<b>Ambient conditions</b>		
Ambient temperature		-30 ... 60 °C (-22 ... 140 °F) -10 ... 40 °C (14 ... 104 °F) for inactive signal tracking
Storage temperature		-40 ... 70 °C (-40 ... 158 °F)
<b>Mechanical specifications</b>		
Housing width		25.8 mm
Housing height		88 mm
Housing depth		54.3 mm
Degree of protection		IP67
Connection		300 mm fixed cable with M12 x 1, 4-pin connector
Material		
Housing		Plastic ABS
Optical face		Plastic pane
Mass		100 g

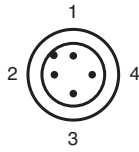
## Connection Assignment

Option:



- = Light on
- = Dark on

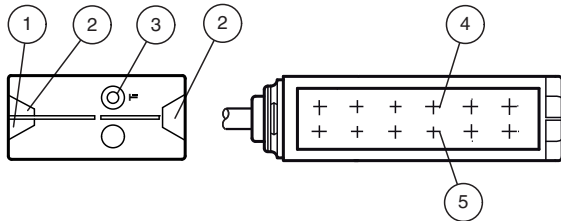
## Connection Assignment



Wire colors in accordance with EN 60947-5-2

- |   |    |         |
|---|----|---------|
| 1 | BN | (brown) |
| 2 | WH | (white) |
| 3 | BU | (blue)  |
| 4 | BK | (black) |

## Assembly



1	Operating display	green
2	Signal display	yellow
3	TEACH-IN button	
4	Emitter	
5	Receiver	

## Accessories

	<b>REF-A80</b>	Reflector, rectangular 80 mm x 50 mm, self-adhesive
--	----------------	---

Release date: 2023-03-28 Date of issue: 2023-03-28 Filename: 217870\_eng.pdf

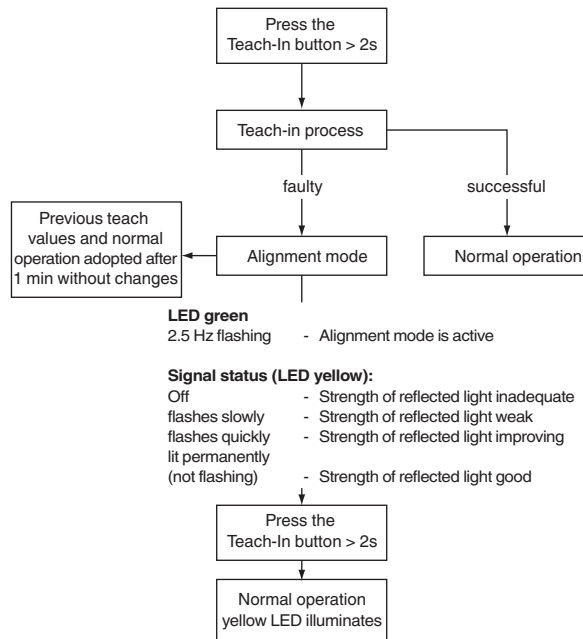
**Additional Information**

**Mounting:**

Ensure that the red light transmitted by the sensor fully illuminates the reflector. To ensure optimal detection, the entire 60 mm detection field must appear on the reflector. To check this illumination, look at the reflector from over the top of the sensor housing.



**Teach-in:**



More stringent adjustment requirements: Ensure that the device is correctly aligned in the near range of 0.2 m ... 0.6 m.

**Object detection after successful Teach-in**

The target should be large enough so that the reflector is always completely covered in one dimension!



**Signal tracking:**

Active:

- At variable temperature
- Objects located in the light path that lie below the switching point. These objects result in a readjustment of the emitter. This allows these objects to be taught in or taught out.

Inactive:

- Function not available

To alter the signal tracking, press the Teach-in button for > 10 seconds. The current status is displayed. Briefly pressing the Teach-in button changes the mode.

