

## Male connector, field-attachable

### V15S-G-ABG-PG9

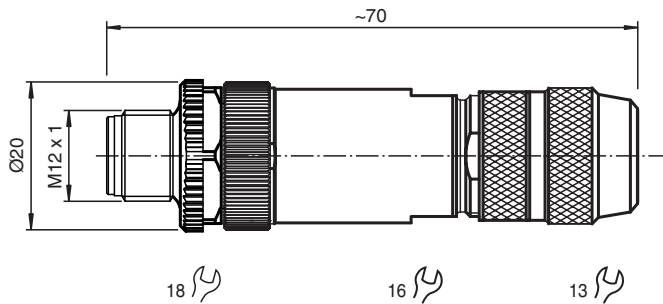


- Field-attachable, shieldable
- Metal housing
- Iris spring shielding
- cURus approval

Male connector M12 straight A-coded 5-pin, for cable diameter 5 - 8 mm, shielded, field-attachable



### Dimensions



### Technical Data

#### General specifications

Connector 1	
Connection	plug
Construction type	M12
Style	straight
Locking	screw connection
Number of pins	5
Coding	A-coded

#### Electrical specifications

Operating voltage	$U_B$	max. 48 V AC / 60 V DC
Operating current	$I_B$	max. 4 A
Insulation resistance		min. 100 M $\Omega$

#### Conformity

Degree of protection	EN 60529
Plug connection	connector M12 x 1 : IEC 61076-2-101

#### Approvals and certificates

UL File Number	E363587
----------------	---------

Release date: 2025-01-30 Date of issue: 2025-01-30 Filename: 219138\_eng.pdf

## Technical Data

### Ambient conditions

Ambient temperature	-40 ... 85 °C (-40 ... 185 °F)
Pollution degree	3

### Mechanical specifications

Plug connector	
Tightening torque	0.6 Nm
Tool installation	straight knurling , hexagon nut SW = 18 mm
Mating cycles	min. 100
Shielding	iris spring shielding
Degree of protection	IP67
Connection	screw terminals for max. 0.75 mm <sup>2</sup> / AWG 18
Cable	
Sheath diameter	5 ... 8 mm
Core cross section	0.75 mm <sup>2</sup> / 18 AWG max.
Mass	46.99 g

### Material

Plug connector	
Screw connection	Zinc diecast, nickel-plated
Body	Zinc diecast, nickel-plated
Seal	NBR
Contact surface	Au

## Connection Assignment

