



AS-Interface sensor module

VBA-4E-G11-ZAJ-F

- Inputs for 2-, 3-, and 4-wire sensors
- Supply of sensors from AS-Interface
- Function display for bus and inputs
- Degree of protection IP68 / IP69K
- Communication monitoring
- Cable piercing method with gold plated contact pins
- AS-Interface POWER24

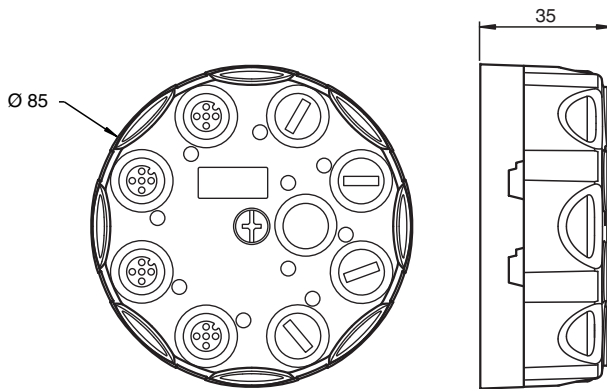
G11 module, 4 inputs



Function

The VBA-4E-G11-ZAJ-F is an AS-Interface switch-on module with 4 inputs. 2, 3 and 4 wire sensors can also be connected as mechanical contacts to the 4 sourcing electronic inputs. The housing with a central screw enables fast mounting on the base plate. The connection to the sensors is via an M12x1 plug-in connection on the top side of the device. The AS-Interface flat cable and external energy supply are connected via the insulation piercing technology on the underside of the module. The inputs and the connected sensors are powered by the internal supply of the module (from the AS-Interface). The current switching state of each input is indicated via an IN LED. The AS-i/FAULT LED indicates the status of the AS-Interface (normal operation, communication error, peripheral fault, address 0). The switch-on module is compatible with AS-Interface POWER24.

Dimensions



Technical Data

General specifications

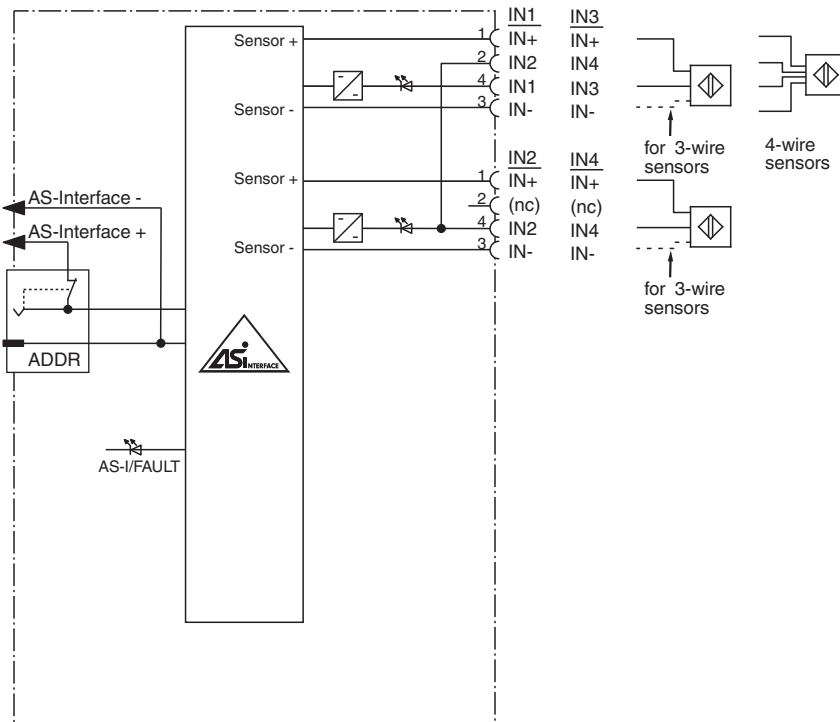
Node type	A/B node
AS-Interface specification	V3.0
Required gateway specification	≥ V2.1
Profile	S-0.A.2
IO code	0
ID code	A
ID1 code	7
ID2 code	2
UL File Number	E223772

Release date: 2023-03-28 Date of issue: 2023-03-28 Filename: 220207_eng.pdf

Technical Data

Indicators/operating means		
LED AS-i/FAULT		Status display; multi-colour LED Green: normal operation Red: communication fault Flashing yellow/red: address 0 Flashing green/red: sensor supply overload
LED IN		switching state (input); 4 LED yellow
Electrical specifications		
Rated operating voltage	U_e	18,0 ... 31.6 V from AS-Interface
Rated operating current	I_e	≤ 40 mA (without sensors) / max. 240 mA
Protection class		III
Surge protection		U_e : Over voltage category III, safe isolated power supplies (PELV)
Input		
Number/Type		4 inputs for 2- or 3-wire sensors (PNP), DC option 2 inputs for 4-wire sensors (PNP), DC
Supply		from AS-Interface
Voltage		12 ... 31 V
Current loading capacity		≤ 200 mA, overload and short-circuit protected
Input current		≤ 9 mA (limited internally)
Switching point		according to DIN EN 61131-2 (Type 2)
0 (unattenuated)		≤ 3 mA
1 (attenuated)		≥ 5 mA
Signal delay		< 1 ms (input/AS-Interface)
Directive conformity		
Electromagnetic compatibility		
Directive 2014/30/EU		EN 62026-2:2013 EN 61000-6-2:2005, EN 61000-6-4:2007
Standard conformity		
Degree of protection		EN 60529:2000
Fieldbus standard		EN 62026-2:2013
Input		EN 61131-2:2007
Emitted interference		EN 61000-6-4:2007
AS-Interface		EN 62026-2:2013
Noise immunity		EN 61000-6-2:2005, EN 61326-1:2006, EN 62026-2:2013
Ambient conditions		
Ambient temperature		-25 ... 70 °C (-13 ... 158 °F)
Storage temperature		-25 ... 85 °C (-13 ... 185 °F)
Relative humidity		85 % , noncondensing
Climatic conditions		For indoor use only
Altitude		≤ 2000 m above MSL
Shock and impact resistance		30 g, 11 ms in 6 spatial directions 3 shocks 10 g, 16 ms in 6 spatial directions 1000 shocks
Vibration resistance		0.75 mm 10 ... 57 Hz , 5 g 57 ... 150 Hz, 20 cycles
Pollution degree		3
Mechanical specifications		
Degree of protection		IP68 / IP69K
Connection		AS-Interface: AS-Interface flat cable Inputs: M12 round connector
Material		
Housing		PBT PC
Mounting screw		Stainless steel 1.4305 / AISI 303
Mass		200 g
Tightening torque, housing screws		1.8 Nm
Tightening torque, cable gland		0.4 Nm
Mounting		Mounting plate

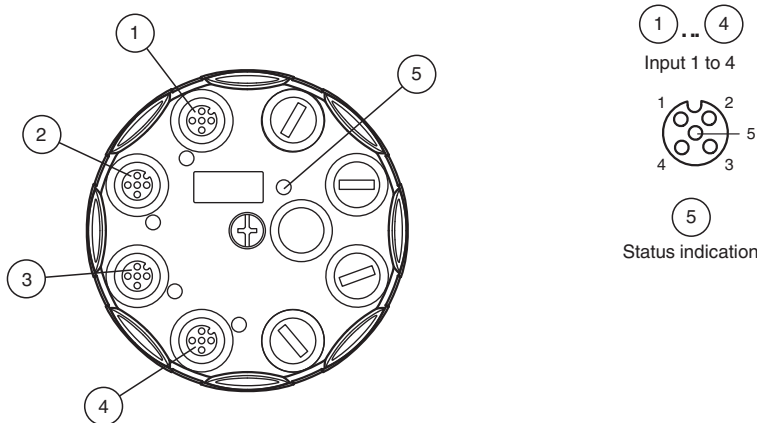
Connection



Connection

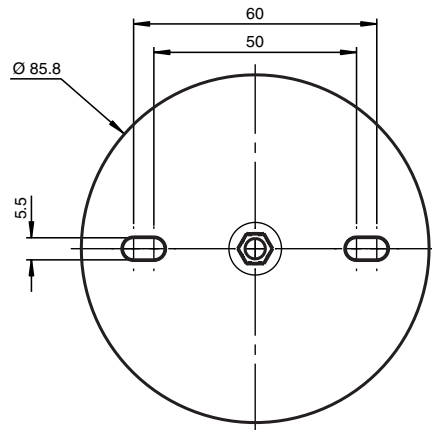
Do not connect inputs and outputs, which are supplied via the module from AS-interface or via auxiliary power, with power supply and signal circuits with external potentials.

Assembly



Release date: 2023-03-28 Date of issue: 2023-03-28 Filename: 220207_eng.pdf

Mounting



Screw the device onto a level mounting surface using two M5 attachment screws. The attachment screws are not included. Screw a blind plug onto spare connections to ensure the protection category.

Programming

Data bits

(Function via AS-Interface)




Data bit	Input	Output
D0	IN1	-
D1	IN2	-
D2	IN3	-
D3	IN4	-

Parameter bit

(programmable via AS-Interface)

Parameter bit	Function
P0	not used
P1	Input filter P1=0 filter on, pulse suppr. ≤ 2 ms P1=1 filter off, default setting
P2	Synchronous mode P2=0 Synchronous mode on P2=1 Synchronous mode off, default setting
P3	not used

Accessories

	VAZ-V1-B3	Blind plug for M12 sockets
	VBP-HH1-V3.0-KIT	AS-Interface Handheld with accessory
	VAZ-PK-1,5M-V1-G	Adapter cable module/hand-held programming device