



## Retroreflective sensor MLV41-6/92/102/126b



- Rugged series in corrosion-resistant metal housing
- Extremely high switching frequency
- Clear and functional display concept for the operating modes
- Resistant against noise: reliable operation under all conditions
- Aluminum housing with high quality Delta-Seal coated

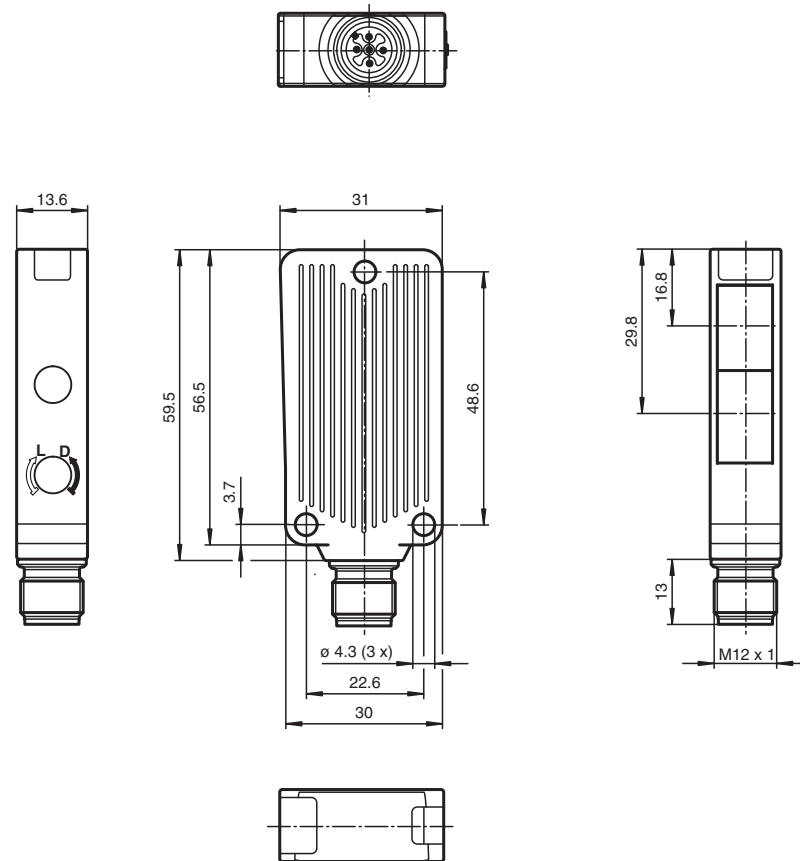
Robust retroreflective sensor, compact housing design, 9.5 m detection range, red light, dark on, NPN output, weak signal output, M12 plug



### Function

The unique and extremely popular design of the MLV41 series enables it to be mounted correctly in confined areas and offers all the functions that are normally only found on larger photoelectric sensors. The MLV41 series comes with a range of functions. For example, highly visible status LEDs on the front and back, resistance to ambient light, crosstalk protection and universally applicable output stages that permit every possible switching logic and polarity to be realized. The enhanced resistance to ambient light ensures reliable operation even where modern energy-saving lamps with electronic ballasts are in use. The same applies where multiple devices are present, i.e. the use of a number of sensors in the same vicinity causes no problems.

## Dimensions



## Technical Data

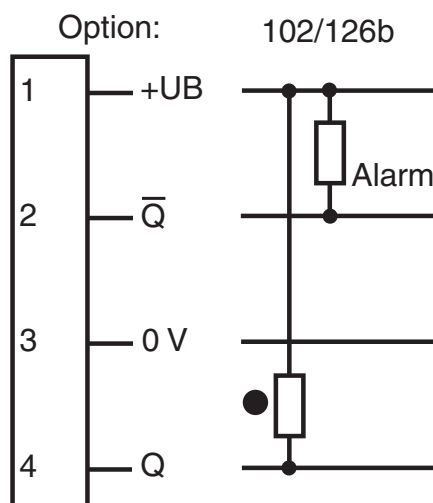
| General specifications               |  |
|--------------------------------------|--|
| Effective detection range            | 0 ... 9.5 m  |
| Reflector distance                   | Foil reflector 0.05 ... 3 m<br>Retro-reflector 0.01 ... 9.5 m  |
| Threshold detection range            | 12 m   |
| Reference target                     | OFR-22800/76 , H85-2 reflector   |
| Light source                         | LED  |
| Light type                           | modulated visible red light , 625 nm   |
| Polarization filter                  | no   |
| Angle deviation                      | max. $\pm 1.5^\circ$   |
| Diameter of the light spot           | approx. 300 mm at detection range 8.5 m  |
| Opening angle                        | $1.5^\circ$  |
| Optical face                         | frontal  |
| Ambient light limit                  | 20000 Lux  |
| Functional safety related parameters |  |
| MTTF <sub>d</sub>                    | 940 a  |
| Mission Time (T <sub>M</sub> )       | 20 a   |
| Diagnostic Coverage (DC)             | 0 %  |
| Indicators/operating means           |  |
| Operation indicator                  | LED green, statically lit Power on , Undervoltage indicator: Green LED, pulsing (approx. 0.8 Hz) , short-circuit : LED green flashing (approx. 4 Hz) |
| Function indicator                   | LED yellow, lights up when light beam is free, flashes when falling short of the operating reserve   |

Release date: 2023-04-04 Date of issue: 2023-04-04 Filename: 221589\_eng.pdf

## Technical Data

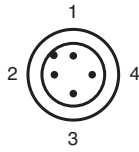
|                                   |       |  |
|-----------------------------------|-------|--|
| Control elements                  |       | none   |
| <b>Electrical specifications</b>  |       |  |
| Operating voltage                 | $U_B$ | 10 ... 30 V DC   |
| Ripple                            |       | max. 10 %  |
| No-load supply current            | $I_0$ | max. 30 mA   |
| <b>Output</b>                     |       |  |
| Stability alarm output            |       | 1 NPN function reserve output (alarm), short-circuit protected, reverse polarity protected, open collector |
| Signal output                     |       | 1 NPN output, short-circuit protected, reverse polarity protected, open collector                          |
| Switching voltage                 |       | max. 30 V DC   |
| Switching current                 |       | max. 100 mA  |
| Voltage drop                      | $U_d$ | $\leq 2.5$ V DC  |
| Switching frequency               | $f$   | 1000 Hz  |
| Response time                     |       | 0.5 ms   |
| <b>Conformity</b>                 |       |  |
| Product standard                  |       | EN 60947-5-2   |
| <b>Approvals and certificates</b> |       |  |
| UL approval                       |       | cULus Listed 57M3 (Only in association with UL Class 2 power supply; Type 1 enclosure)                     |
| CCC approval                      |       | CCC approval / marking not required for products rated $\leq 36$ V   |
| <b>Ambient conditions</b>         |       |  |
| Ambient temperature               |       | -40 ... 60 °C (-40 ... 140 °F)   |
| Storage temperature               |       | -40 ... 75 °C (-40 ... 167 °F)   |
| <b>Mechanical specifications</b>  |       |  |
| Housing width                     |       | 31 mm  |
| Housing height                    |       | 56.5 mm  |
| Housing depth                     |       | 13.6 mm  |
| Degree of protection              |       | IP67   |
| Connection                        |       | 4-pin, M12 x 1 connector   |
| <b>Material</b>                   |       |  |
| Housing                           |       | Aluminum , Delta-Seal coated   |
| Optical face                      |       | glass pane   |
| Connector                         |       | metal  |
| Mass                              |       | 50 g   |

## Connection



- = Light on
- = Dark on

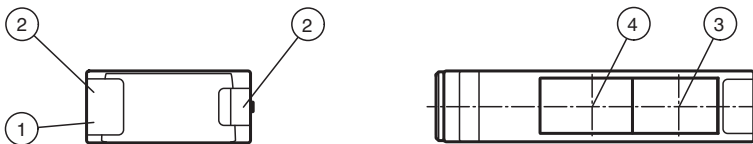
## Connection Assignment



Wire colors in accordance with EN 60947-5-2

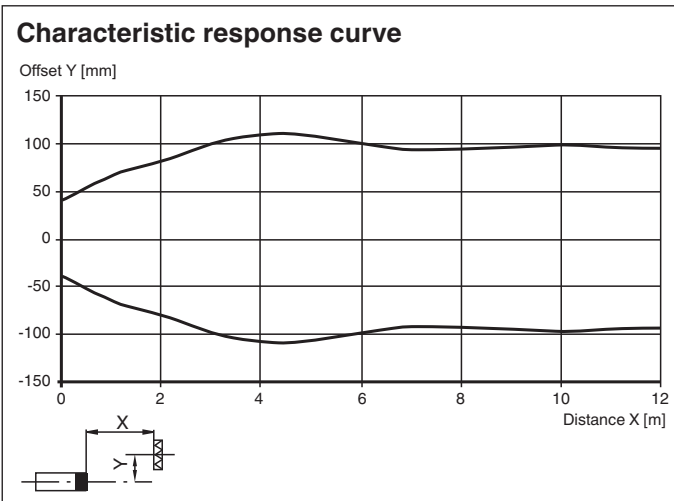
|   |    |         |
|---|----|---------|
| 1 | BN | (brown) |
| 2 | WH | (white) |
| 3 | BU | (blue)  |
| 4 | BK | (black) |

## Assembly



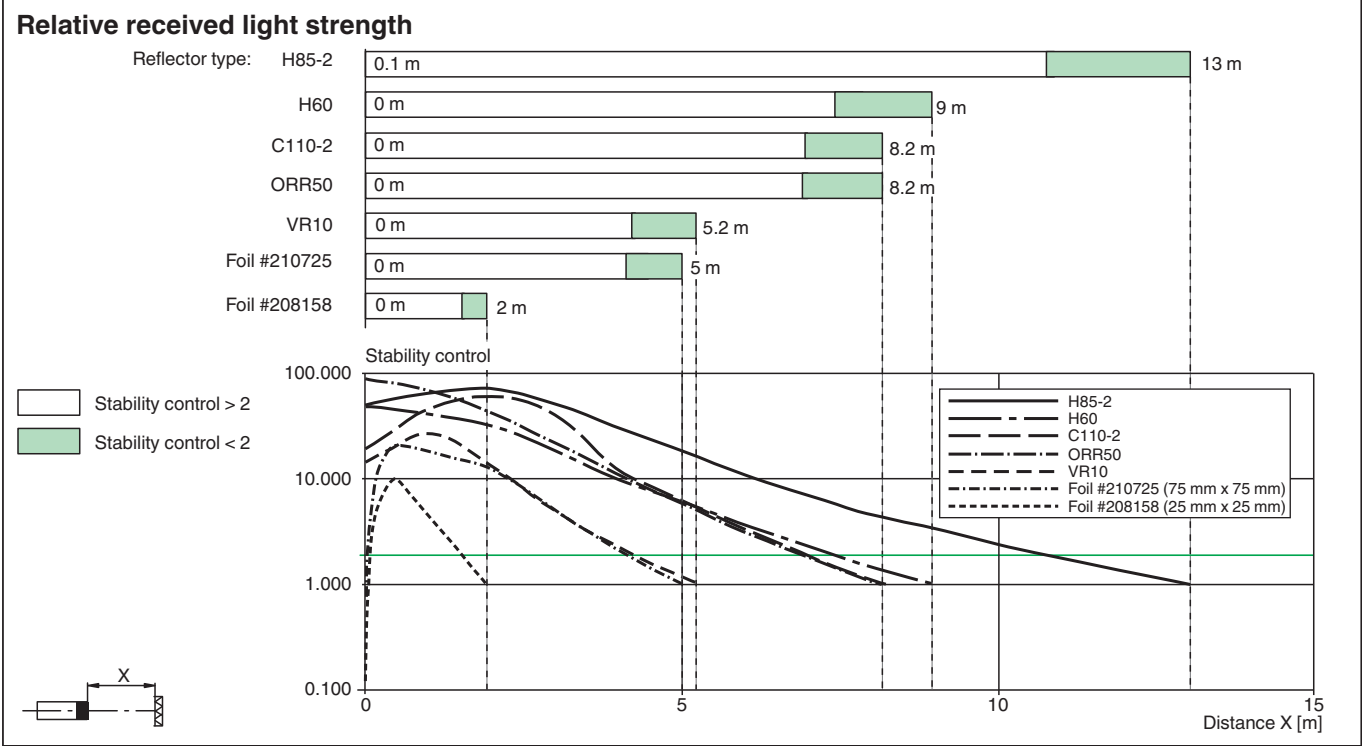
|   |                         |   |                          |
|---|-------------------------|---|--------------------------|
| 1 | Operating display green | 3 | Optical axis transmitter |
| 2 | Function display yellow | 4 | Optical axis receiver    |

## Characteristic Curve



Release date: 2023-04-04 Date of issue: 2023-04-04 Filename: 221589\_eng.pdf

**Characteristic Curve**



**Accessories**

|  |                    |  |
|--|--------------------|--|
|  | <b>OMH-09</b>      | Mounting bracket for Sensors series MLV41 for M12 rod mounting                                 |
|  | <b>OMH-40</b>      | Mounting bracket   |
|  | <b>V1-G-2M-PUR</b> | Female cordset single-ended M12 straight A-coded, 4-pin, PUR cable grey                        |
|  | <b>V1-W-2M-PUR</b> | Female cordset single-ended M12 angled A-coded, 4-pin, PUR cable grey                          |
|  | <b>REF-H85-2</b>   | Reflector, rectangular 84.5 mm x 84.5 mm, mounting holes                                       |
|  | <b>REF-H50</b>     | Reflector, rectangular 51 mm x 61 mm, mounting holes, fixing strap                             |
|  | <b>REF-VR10</b>    | Reflector, rectangular 60 mm x 19 mm, mounting holes   |
|  | <b>ORR50G</b>      | Reflector, rectangular 50.9 mm x 60.9 mm, mounting holes, fixing strap and polarization filter |
|  | <b>OFR-100/100</b> | Reflective tape 100 mm x 100 mm  |

Release date: 2023-04-04 Date of issue: 2023-04-04 Filename: 221589\_eng.pdf