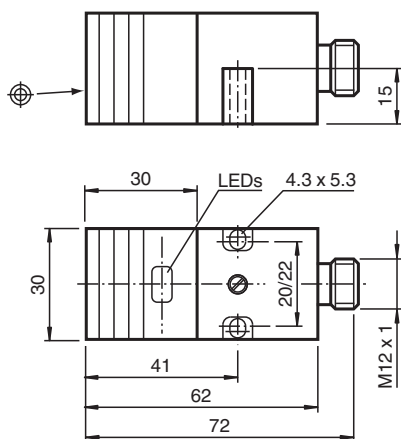


Inductive sensor NJ15-M1-E2-V1

- 15 mm non-flush
- 3-wire DC



Dimensions



Technical Data

General specifications

Switching function		Normally open (NO)
Output type		PNP
Rated operating distance	s_n	15 mm
Installation		non-flush
Output polarity		DC
Assured operating distance	s_a	0 ... 12.15 mm
Actual operating distance	s_r	13.5 ... 16.5 mm typ. 15 mm
Reduction factor r_{Al}		0.39
Reduction factor r_{Cu}		0.36
Reduction factor r_{304}		0.73
Output type		3-wire

Nominal ratings

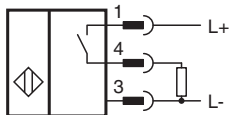
Operating voltage	U_B	10 ... 60 V DC
Switching frequency	f	0 ... 200 Hz
Hysteresis	H	typ. 5 %
Reverse polarity protection		yes

Release date: 2025-06-04 Date of issue: 2025-06-04 Filename: 222495_eng.pdf

Technical Data

Short-circuit protection		pulsing
Voltage drop	U_d	≤ 2.5 V
Voltage drop at I_L		
Voltage drop $I_L = 200$ mA, switching element on	U_d	1 ... 2.5 V typ. 2.2 V
Rated insulation voltage	U_{BIS}	500 V
Operating current	I_L	0 ... 200 mA
No-load supply current	I_0	≤ 14 mA
Time delay before availability	t_v	≤ 50 ms
Operating voltage indicator		LED, green
Switching state indicator		LED, yellow
Functional safety related parameters		
MTTF _d		932 a
Mission Time (T_M)		20 a
Diagnostic Coverage (DC)		0 %
Compliance with standards and directives		
Standard conformity		
Standards		EN IEC 60947-5-2
Approvals and certificates		
CCC approval		Certified by China Compulsory Certification (CCC)
Ambient conditions		
Ambient temperature		-25 ... 70 °C (-13 ... 158 °F)
Mechanical specifications		
Connection type		Connector plug
Housing material		PBT/metal RAL 7011
Sensing face		PBT
Degree of protection		IP67
Connector		
Threading		M12 x 1
Number of pins		4
Dimensions		
Height		30 mm
Width		30 mm
Length		62 mm

Connection



Connection Assignment



Wire colors in accordance with EN 60947-5-2

1	BN	(brown)
2	WH	(white)
3	BU	(blue)
4	BK	(black)