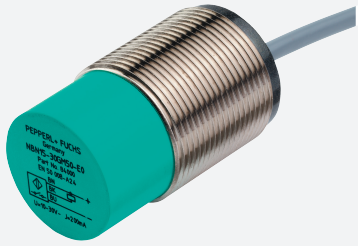


# Inductive sensor

## NJ15-30GM50-A2-5M

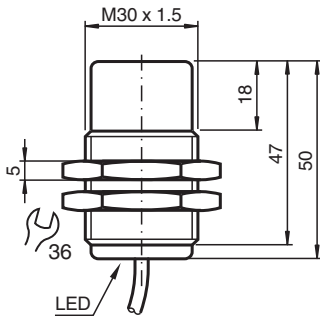


- 15 mm non-flush
- Stainless steel housing

Inductive sensor



### Dimensions



### Technical Data

#### General specifications

Switching function		complementary
Output type		PNP
Rated operating distance	$s_n$	15 mm
Installation		non-flush
Output polarity		DC
Assured operating distance	$s_a$	0 ... 12.15 mm
Actual operating distance	$s_r$	13.5 ... 16.5 mm typ. 15 mm
Reduction factor $r_{Al}$		0.45
Reduction factor $r_{Cu}$		0.4
Reduction factor $r_{304}$		0.8
Output type		4-wire

#### Nominal ratings

Operating voltage	$U_B$	10 ... 60 V
Switching frequency	$f$	0 ... 300 Hz
Hysteresis	$H$	typ. 5 %
Reverse polarity protection		reverse polarity protected
Short-circuit protection		pulsing
Voltage drop	$U_d$	$\leq 3$ V
Operating current	$I_L$	0 ... 400 mA
No-load supply current	$I_0$	$\leq 15$ mA

Release date: 2025-06-05 Date of issue: 2025-06-05 Filename: 222511\_eng.pdf

## Technical Data

Switching state indicator	LED, yellow	
<b>Functional safety related parameters</b>		
MTTF <sub>d</sub>	1190 a	
Mission Time (T <sub>M</sub> )	20 a	
Diagnostic Coverage (DC)	0 %	
<b>Compliance with standards and directives</b>		
Standard conformity		
Standards	EN IEC 60947-5-2	
<b>Approvals and certificates</b>		
UL approval	cULus Listed, General Purpose	
CCC approval	Certified by China Compulsory Certification (CCC)	
<b>Ambient conditions</b>		
Ambient temperature	-25 ... 70 °C (-13 ... 158 °F)	
<b>Mechanical specifications</b>		
Connection type	cable	
Housing material	Stainless steel 1.4305 / AISI 303	
Sensing face	PBT	
Degree of protection	IP67	
Cable		
Wire end ferrules	yes	
Cable diameter	6.8 mm ± 0.2 mm	
Bending radius	> 10 x cable diameter	
Material	PVC	
Color	grey	
Number of cores	4	
Core cross section	0.75 mm <sup>2</sup>	
Length	L	5 m
Dimensions		
Length	50 mm	
Diameter	30 mm	

## Connection



Release date: 2025-06-05 Date of issue: 2025-06-05 Filename: 222511\_eng.pdf