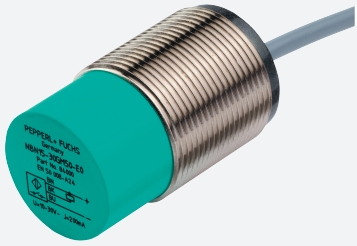


Inductive sensor

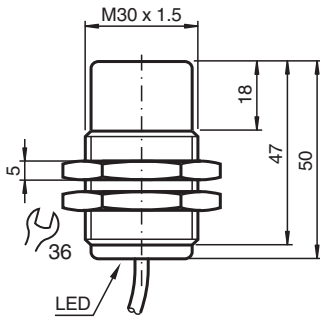
NJ15-30GM50-A2



- Stainless steel housing
- 15 mm non-flush



Dimensions



Technical Data

General specifications

Switching function		complementary
Output type		PNP
Rated operating distance	s_n	15 mm
Installation		non-flush
Output polarity		DC
Assured operating distance	s_a	0 ... 12.15 mm
Actual operating distance	s_r	13.5 ... 16.5 mm typ. 15 mm
Reduction factor r_{Al}		0.45
Reduction factor r_{Cu}		0.4
Reduction factor r_{304}		0.8
Output type		4-wire

Nominal ratings

Operating voltage	U_B	10 ... 60 V
Switching frequency	f	0 ... 300 Hz
Hysteresis	H	typ. 5 %
Reverse polarity protection		reverse polarity protected
Short-circuit protection		pulsing
Voltage drop	U_d	≤ 3 V
Operating current	I_L	0 ... 400 mA
No-load supply current	I_0	≤ 15 mA

Technical Data

Switching state indicator	LED, yellow
Functional safety related parameters	
MTTF _d	1190 a
Mission Time (T _M)	20 a
Diagnostic Coverage (DC)	0 %
Compliance with standards and directives	
Standard conformity	
Standards	EN IEC 60947-5-2
Approvals and certificates	
UL approval	cULus Listed, General Purpose
CCC approval	Certified by China Compulsory Certification (CCC)
Ambient conditions	
Ambient temperature	-25 ... 70 °C (-13 ... 158 °F)
Mechanical specifications	
Connection type	cable
Housing material	Stainless steel 1.4305 / AISI 303
Sensing face	PBT
Degree of protection	IP67
Cable	
Wire end ferrules	yes
Cable diameter	6.8 mm ± 0.2 mm
Bending radius	> 10 x cable diameter
Material	PVC
Color	grey
Number of cores	4
Core cross section	0.75 mm ²
Length	L 2 m
Dimensions	
Length	50 mm
Diameter	30 mm

Connection



Release date: 2025-06-04 Date of issue: 2025-06-04 Filename: 222512_eng.pdf