

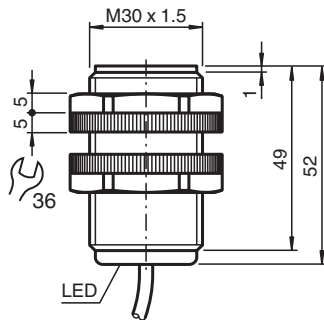


Inductive sensor NJ15-30GK50-A2

- 15 mm non-flush



Dimensions



Technical Data

General specifications

Switching function		complementary
Output type		PNP
Rated operating distance	s_n	15 mm
Installation		non-flush
Output polarity		DC
Assured operating distance	s_a	0 ... 12.15 mm
Actual operating distance	s_r	13.5 ... 16.5 mm typ. 15 mm
Reduction factor r_{Al}		0.4
Reduction factor r_{Cu}		0.38
Reduction factor r_{304}		0.71
Reduction factor r_{Brass}		0.45
Output type		4-wire

Nominal ratings

Operating voltage	U_B	10 ... 60 V
Switching frequency	f	0 ... 300 Hz
Hysteresis	H	typ. 5 %

Release date: 2025-06-04 Date of issue: 2025-06-04 Filename: 222513_eng.pdf

Technical Data

Reverse polarity protection		reverse polarity protected
Short-circuit protection		pulsing
Voltage drop	U_d	$\leq 2.8 \text{ V}$
Voltage drop at I_L		
Voltage drop $I_L = 10 \text{ mA}$, switching element on	U_d	0.9 ... 2.4 V typ. 1.7 V
Voltage drop $I_L = 20 \text{ mA}$, switching element on	U_d	0.9 ... 2.4 V typ. 1.7 V
Voltage drop $I_L = 50 \text{ mA}$, switching element on	U_d	0.9 ... 2.5 V typ. 1.7 V
Voltage drop $I_L = 100 \text{ mA}$, switching element on	U_d	1 ... 2.6 V typ. 1.8 V
Voltage drop $I_L = 200 \text{ mA}$, switching element on	U_d	1.2 ... 2.8 V typ. 2 V
Operating current	I_L	0 ... 400 mA
Off-state current	I_r	0 ... 0.5 mA typ. 0.01 mA
No-load supply current	I_0	$\leq 9 \text{ mA}$
Switching state indicator		LED, yellow
Functional safety related parameters		
MTTF _d		1120 a
Mission Time (T_M)		20 a
Diagnostic Coverage (DC)		0 %
Compliance with standards and directives		
Standard conformity		
Standards		EN IEC 60947-5-2
Approvals and certificates		
UL approval		cULus Listed, General Purpose
CCC approval		Certified by China Compulsory Certification (CCC)
Ambient conditions		
Ambient temperature		-25 ... 70 °C (-13 ... 158 °F)
Storage temperature		-25 ... 85 °C (-13 ... 185 °F)
Mechanical specifications		
Connection type		cable
Housing material		PBT
Sensing face		PBT
Degree of protection		IP68
Cable		
Wire end ferrules		yes
Cable diameter		6.8 mm \pm 0.2 mm
Bending radius		> 10 x cable diameter
Material		PVC
Color		grey
Number of cores		4
Core cross section		0.75 mm ²
Length	L	2 m
Dimensions		
Length		50 mm
Diameter		30 mm

Connection

