



Model Number

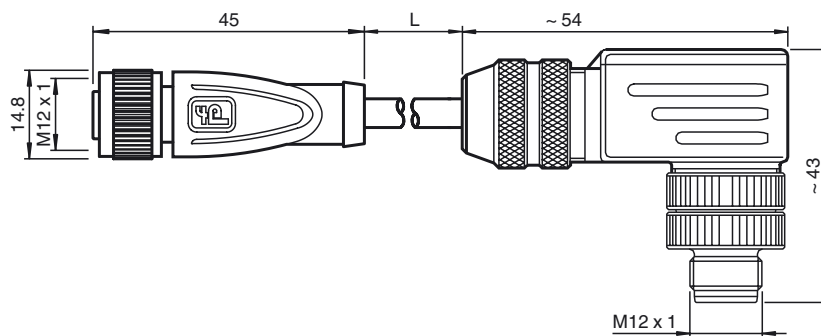
V1-G-2,5M-PUR-ABG-V15B-W

Adapter M12 x 1 A-coded to M12 x 1 B-coded, PUR cable 4-pin, shielded

Features

- Knurled nut suitable for tool assembly
- Immunity to vibration, with mechanical latching
- Shield attached to coupling nut
- Gold-plated and machined contacts
- Halogen-free

Dimensions



Technical data

General specifications

Number of pins 4 + shield

Electrical specifications

Operating voltage U_B max. 300 V DC
 Test voltage > 1500 V_{eff} AC
 Operating current I_B max. 4 A
 Volume resistance < 5 m Ω

Ambient conditions

Ambient temperature cable, flexing: -25 ... 80 °C (-13 ... 176 °F)
 cable, fixed: -40 ... 80 °C (-40 ... 176 °F)

Pollution degree 3

Mechanical specifications

Contact elements spring-loaded contact socket

Pin diameter 1 mm

Degree of protection IP67

Material

Contacts CuSn / Au

Contact surface Au

Body TPU, green

Cable PUR

Slotted nut Diecast zinc

Sleeve connector Diecast zinc

Core insulation PP

Cable fine-strand, flexible

Sheath diameter \varnothing 4.8 mm

Bending radius > 10 x cable diameter, moving
 > 5 x cable diameter, fixed

Color grey

Cores 4 x 0.34 mm²

Conductor construction 19 x 0.15 mm \varnothing

Shield grid covering 85 %

Length L 2.5 m

Flammability

Contact carrier 94 HB

Housing 94 V-2

Electrical connection

