

## Control interface unit

### IC-KP2-2HB18-2V1



- LED status indicator of bus communication and read/write heads
- Max. 2 read/write heads can be connected
- Alternatively 1 read/write head and 1 trigger sensor can be connected

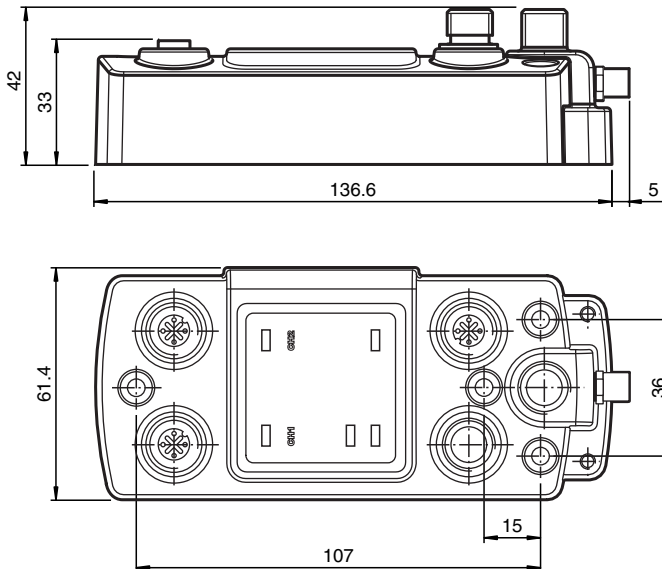
IDENTControl Compact control interface with CC-Link V2 interface



### Function

The RFID identification system IDENTControl Compact from Pepperl+Fuchs offers a vast number of benefits compared to other systems, thanks to its innovative design. The control interfaces IDENTControl and IDENTControl Compact make up the core of the system. With its integrated interfaces to all commercially available fieldbus systems such as PROFIBUS, PROFINET, Ethernet, EtherCAT, CC-Link, serial connections (RS 232 or RS 485) and numerous connection options for read/write heads available for frequency ranges LF, HF and UHF, the IDENTControl Compact control interface can be easily and flexibly adapted to your requirements. LEDs on the front of the housing indicate bus communication, connected read/write heads and active read/write commands. Reliability of the application is further increased by using trigger sensors. The system is equally suited for use in control cabinets and field use in IP67. The interface to the higher-level fieldbus is integrated in the housing, and all connections are designed such that they are pluggable. This enables simple installation and quick, problem-free replacement in case of device failure. The consistent EMC design, with metal housing, grounding and shielded wires, offers a high degree of reliability.

### Dimensions



### Technical Data

#### General specifications

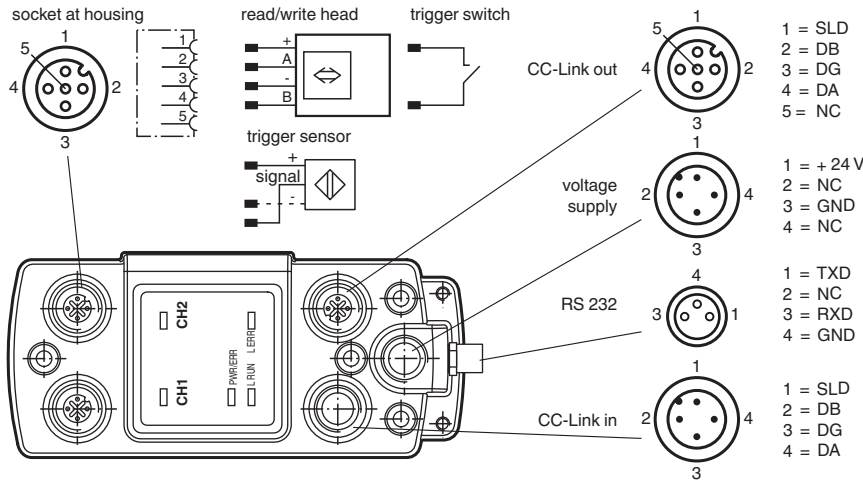
## Technical Data

Number of read/write heads		max. 2 alternatively 1 read/write head and 1 trigger sensor
UL File Number		E87056
MTBF		85 a (Operation at +40 °C)
<b>Indicators/operating means</b>		
LEDs 1, 2		Status indicator for read/write heads green: command at read/write head active yellow: approx. 1 second long, if command was successfully executed
LEDs CH1, CH2		green: read head detected red: Configuration error
LED PWR/ERR		green: power on red: Hardware fault
LED L RUN		green: on, data communication active
LED L ERR		red: on, invalid rotary switch setting or data transfer failure red: flashing, rotary switch setting changed since last switched on
Rotary switch		Address setting 01 ... 64 (decimal) Station no.: 0 ... 6 (x10) Station no.: 0 ... 9 (x1) Baud rate setting: 0 ... 4 Extended cyclic setting: 0, 1, 2, 4, 8
<b>Electrical specifications</b>		
Rated operating voltage	$U_e$	20 ... 30 V DC , PELV
Ripple		≤ 10 % at 30 V DC
Current consumption		≤ 4 A incl. read/write heads
Power consumption	$P_0$	3.5 W Without read/write heads
Galvanic isolation		basic insulation acc. to DIN EN 50178, rated insulation voltage of 50 V <sub>eff</sub>
<b>Interface 1</b>		
Interface type		CC-Link
Physical		RS-485
Protocol		CC-Link
Transfer rate		156; 625 kBit/s 2,5;5;10 Mbit/s
<b>Interface 2</b>		
Interface type		Diagnostic Interface
Physical		RS 232
Protocol		ASCII
Transfer rate		38.4 kBit/s
<b>Directive conformity</b>		
Electromagnetic compatibility		
Directive 2014/30/EU		EN 61000-6-2 EN 61000-6-4
RoHS		
Directive 2011/65/EU (RoHS)		IEC/EN 63000
<b>Standard conformity</b>		
Degree of protection		IEC 60529
<b>Ambient conditions</b>		
Ambient temperature		-25 ... 70 °C (-13 ... 158 °F)
Storage temperature		-40 ... 85 °C (-40 ... 185 °F)
Climatic conditions		air humidity max. 96 % Salt spray resistant to EN 60068-2-52
Shock and impact resistance		Oscillation (Sine): 5 g, 10 - 1000 Hz to EN 60068-2-6 Shock (Half-sine): 30 g, 11 ms in accordance with EN 60068-2-27
<b>Mechanical specifications</b>		
Housing length		142 mm
Housing width		62 mm
Housing height		42 mm
Degree of protection		IP67

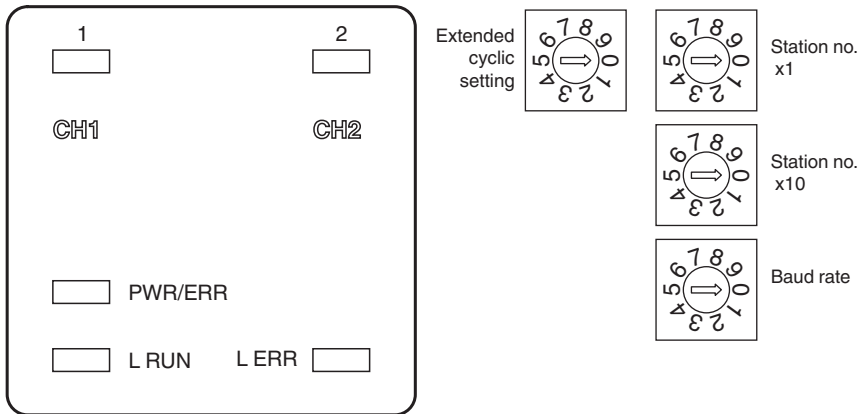
**Technical Data**

Connection	Read/write heads: shielded, 4-pin, M12 connector Power supply: M12 connector Protective earth: M4 earthing screw Diagnostic RS 232: M8 connector CC-Link: M12 connector, A-coded
Material	
Housing	powder coated aluminum
Installation	screw fixing
Mass	approx. 300 g

**Connection**



**Assembly**











**Accessories**

	<b>V1-G-2M-PUR-ABG-V1-W</b>	Cordset M12 socket straight to M12 plug angled A-coded, 4-pin, PUR cable grey, shielded
	<b>V1-G-10M-PUR-ABG-V1-W</b>	Cordset M12 socket straight to M12 plug angled A-coded, 4-pin, PUR cable grey, shielded
	<b>ICZ-MH05-SACB-8</b>	Mounting aid for DIN rail

Release date: 2023-08-07 Date of issue: 2023-08-07 Filename: 223349\_eng.pdf

## Accessories

	<b>V1-G-ABG-PG9</b>	Female connector M12 straight A-coded 4-pin, for cable diameter 5 - 8 mm, shielded, field-attachable
	<b>V1S-G-ABG-PG9</b>	Male connector M12 straight A-coded 4-pin, for cable diameter 5 - 8 mm, shielded, field-attachable
	<b>ICZ-3T-0,3M-PVC-CCL-V1-G</b>	Y connection cable for CC-Link
	<b>V3S-GM-0,15M-PUR-ABG-SUBD</b>	Adapter cable M8 plug straight A-coded 3-pin to Sub-D-plug straight 9-pin, PUR cable grey, shielded, for PC connection with null modem cable
	<b>ICZ-TR-V1-130R</b>	Terminal resistor for CC-Link
	<b>ICZ-TR-V1-110R</b>	Terminal resistor for CC-Link
	<b>V1-G-5M-PUR-ABG-V1-W</b>	Cordset M12 socket straight to M12 plug angled A-coded, 4-pin, PUR cable grey, shielded
	<b>V1-G-5M-PUR-ABG</b>	Female cordset single-ended M12 straight A-coded, 4-pin, PUR cable grey, shielded