

Inductive sensor

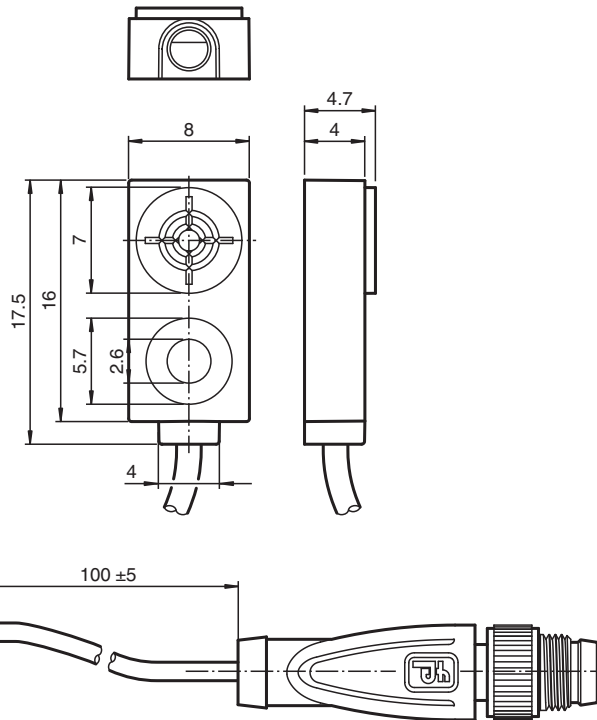
NBB1,5-F79-E3-0,1M-V3



- 1.5 mm flush
- 3-wire DC



Dimensions



Technical Data

General specifications

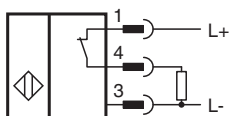
Switching function		Normally closed (NC)
Output type		PNP
Rated operating distance	s_n	1.5 mm
Installation		flush
Output polarity		DC
Assured operating distance	s_a	0 ... 1.215 mm
Reduction factor r_{Al}		0.3
Reduction factor r_{Cu}		0.2
Reduction factor r_{304}		0.7

Release date: 2025-05-20 Date of issue: 2025-05-20 Filename: 224033_eng.pdf

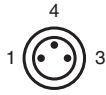
Technical Data

Output type		3-wire
Nominal ratings		
Operating voltage	U_B	5 ... 30 V DC
Switching frequency	f	0 ... 1200 Hz
Hysteresis	H	typ. 5 %
Short-circuit protection		pulsing
Voltage drop	U_d	≤ 1.5 V
Operating current	I_L	0 ... 100 mA
Off-state current	I_r	≤ 10 μ A
No-load supply current	I_0	≤ 15 mA
Time delay before availability	t_v	≤ 20 ms
Functional safety related parameters		
MTTF _d		3910 a
Mission Time (T _M)		20 a
Diagnostic Coverage (DC)		0 %
Compliance with standards and directives		
Standard conformity		
Standards		EN IEC 60947-5-2
Approvals and certificates		
CCC approval		CCC approval / marking not required for products rated ≤ 36 V
Ambient conditions		
Ambient temperature		-25 ... 70 °C (-13 ... 158 °F)
Mechanical specifications		
Connection type		fixed cable with plug
Housing material		PA
Sensing face		PA
Degree of protection		IP67
Connector		
Threading		M8 x 1
Number of pins		3
Cable		
Cable diameter		2.3 mm \pm 0.2 mm
Bending radius		> 10 x cable diameter
Material		PVC
Color		black
Number of cores		3
Core cross section		0.09 mm ²
Length	L	0.1 m
Dimensions		
Height		4.7 mm
Width		8 mm
Length		16 mm

Connection



Connection Assignment



Wire colors in accordance with EN 60947-5-2

1		BN	(brown)
3		BU	(blue)
4		BK	(black)