

## Male connector, field-attachable

### V1S-G-BK

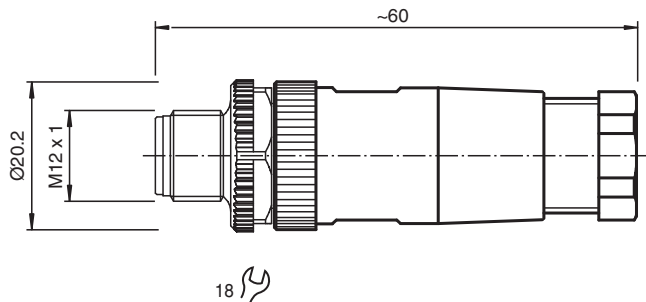


- Screw terminal connection
- Metal locking
- Knurled nut suitable for tool assembly
- cURus approval

Male connector M12 straight A-coded 4-pin, for cable diameter 4 - 6 mm, field-attachable



## Dimensions



## Technical Data

### General specifications

|                   |                  |
|-------------------|------------------|
| Connector 1       |                  |
| Connection        | plug             |
| Construction type | M12              |
| Style             | straight         |
| Locking           | screw connection |
| Number of pins    | 4                |
| Coding            | A-coded          |

### Electrical specifications

|                       |       |                     |
|-----------------------|-------|---------------------|
| Operating voltage     | $U_B$ | max. 250 V AC/DC    |
| Operating current     | $I_B$ | max. 4 A            |
| Insulation resistance |       | min. 100 M $\Omega$ |

### Conformity

|                      |                                     |
|----------------------|-------------------------------------|
| Degree of protection | EN 60529                            |
| Plug connection      | connector M12 x 1 : IEC 61076-2-101 |

### Approvals and certificates

|                |         |
|----------------|---------|
| UL File Number | E363587 |
|----------------|---------|

Release date: 2025-01-30 Date of issue: 2025-01-30 Filename: 224885\_eng.pdf

## Technical Data

### Ambient conditions

|                     |                                |
|---------------------|--------------------------------|
| Ambient temperature | -40 ... 85 °C (-40 ... 185 °F) |
| Pollution degree    | 3                              |

### Mechanical specifications

|                      |  |
|----------------------|--|
| Plug connector       |  |
| Tightening torque    | 0.6 Nm   |
| Tool installation    | straight knurling , hexagon nut SW = 18 mm             |
| Mating cycles        | min. 50  |
| Degree of protection | IP67   |
| Connection           | screw terminals for max. 0.75 mm <sup>2</sup> / AWG 18 |
| Cable                |  |
| Sheath diameter      | 4 ... 6 mm   |
| Core cross section   | 0.75 mm <sup>2</sup> / 18 AWG max.                     |
| Mass                 | 20.27 g  |

### Material

|                  |                     |
|------------------|---------------------|
| Plug connector   |                     |
| Screw connection | CuZn, nickel-plated |
| Body             | PA, black           |
| Contact surface  | CuSnZn              |

## Connection Assignment

