

## Mounting aid OMH-ML100-02

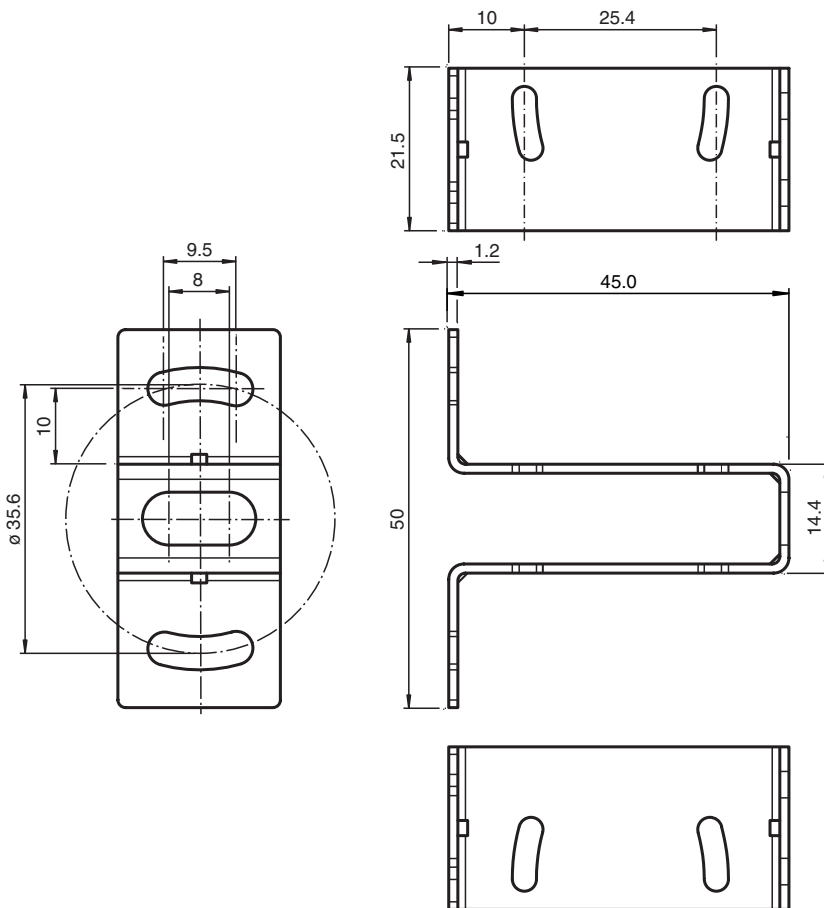


- Mounting bracket
- Simple and fast mounting

Mounting aid for ML100 series, Mounting bracket



### Dimensions



### Technical Data

#### Mechanical specifications

Material	Stainless steel
----------	-----------------

**Technical Data**

Mass	approx. 23 g
Mounting	Mounting accessories included
<b>Suitable series</b>	
Series	ML100