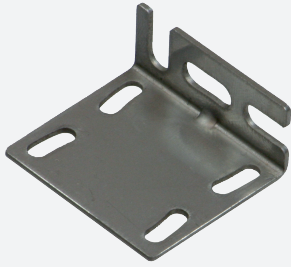


Mounting aid

OMH-ML100-04

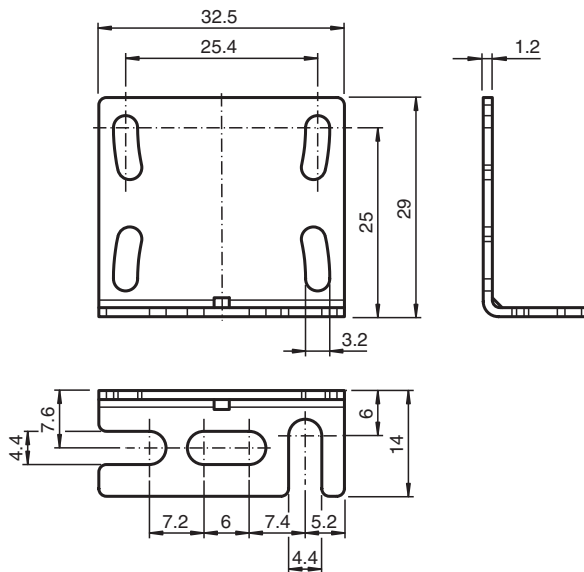


- Mounting bracket
- Simple and fast mounting

Mounting aid for ML100 series, Mounting bracket



Dimensions



Technical Data

Mechanical specifications

Material	Stainless steel
Mass	approx. 10 g
Mounting	Mounting accessories included
Suitable series	
Series	ML100