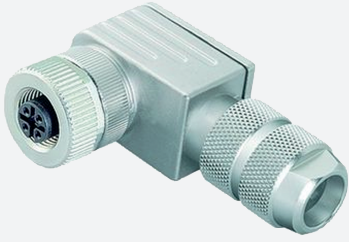


# Female connector, field-attachable

## V15-W-ABG-PG9

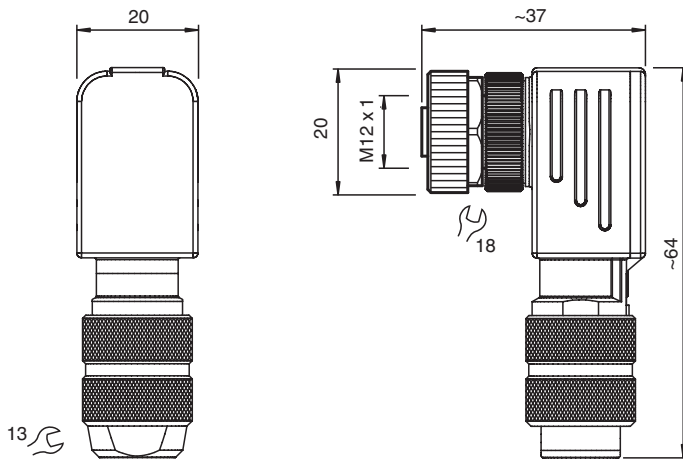


- Field-attachable, shieldable
- Metal housing
- Iris spring shielding
- cURus approval

Female connector M12 angled A-coded 5-pin, for cable diameter 5 - 8 mm, shielded, field-attachable



### Dimensions



### Technical Data

#### General specifications

Connector 1		
Connection		socket
Construction type		M12
Style		angled
Locking		screw connection
Number of pins		5
Coding		A-coded
Customization		Coding rotateable in steps of 90°

#### Electrical specifications

Operating voltage	$U_B$	max. 48 V AC / 60 V DC
Operating current	$I_B$	4 A
Insulation resistance		min. 100 MΩ

#### Conformity

Degree of protection		EN 60529
Plug connection		connector M12 x 1 : IEC 61076-2-101

#### Approvals and certificates

Release date: 2025-01-30 Date of issue: 2025-01-30 Filename: 227910\_eng.pdf

## Technical Data

UL File Number	E363587
<b>Ambient conditions</b>	
Ambient temperature	-40 ... 85 °C (-40 ... 185 °F)
Pollution degree	3
<b>Mechanical specifications</b>	
Plug connector	
Tightening torque	0.6 Nm
Tool installation	straight knurling , hexagon nut SW = 18 mm
Mating cycles	min. 100
Shielding	iris spring shielding
Degree of protection	IP67
Connection	screw terminals for max. 0.75 mm <sup>2</sup> / AWG 18
Cable	
Sheath diameter	5 ... 8 mm
Core cross section	0.75 mm <sup>2</sup> / 18 AWG max.
Mass	69.75 g
<b>Material</b>	
Plug connector	
Screw connection	Zinc diecast, nickel-plated
Body	Zinc diecast, nickel-plated
Seal	NBR , FKM
Contact surface	Au

## Connection Assignment

