

Male connector, field-attachable

V31S-WM

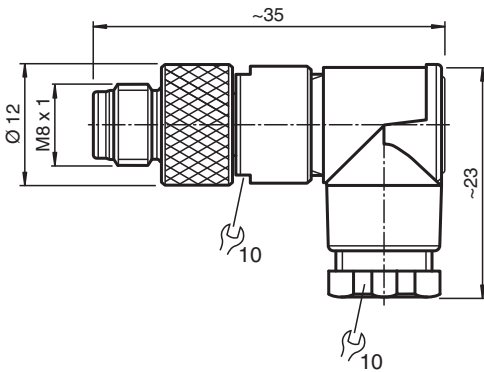


- Solder connection
- Metal locking
- UL Recognized Component

Male connector M8 angled A-coded 4-pin, for cable diameter 3,5 - 5 mm, field-attachable, solder connection



Dimensions



Technical Data

General specifications

Connector 1		
Connection		plug
Construction type		M8
Style		angled
Locking		screw connection
Number of pins		4
Coding		A-coded
Customization		Coding rotateable in steps of 90°

Electrical specifications

Operating voltage	U _B	max. 30 V AC/DC
Operating current	I _B	max. 4 A

Conformity

Degree of protection		EN 60529
Plug connection		connector M8 x 1 : IEC 61076-2-104

Approvals and certificates

UL File Number		E363587
----------------	--	---------

Ambient conditions

Ambient temperature		-40 ... 85 °C (-40 ... 185 °F)
---------------------	--	--------------------------------

Release date: 2024-06-03 Date of issue: 2024-06-08 Filename: 229289_eng.pdf

Technical Data

Pollution degree	3
Mechanical specifications	
Plug connector	
Tightening torque	0.5 Nm
Tool installation	cross-hatched knurling
Mating cycles	min. 100
Degree of protection	IP67
Connection	Solder connection for max. 0.25 mm ² / AWG 24
Cable	
Sheath diameter	3.5 ... 5 mm
Core cross section	0.25 mm ² / 24 AWG max.
Installation	pressure nut 0.2 ... 0.3 Nm
Mass	11 g
Material	
Plug connector	
Screw connection	CuZn, nickel-plated
Body	PA, black
Contact surface	gold plated (Au)

Connection Assignment



Connection

