

# Inductive sensor

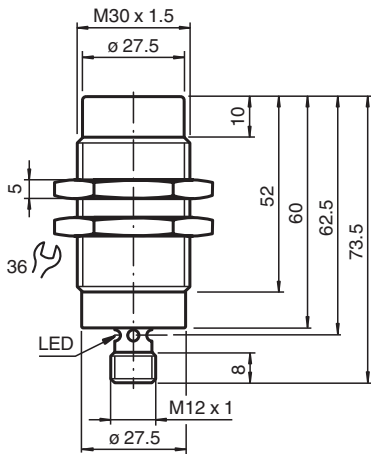
## NEN40-30GM60-E3-V1



- 40 mm non-flush
- Increased operating distance



### Dimensions



### Technical Data

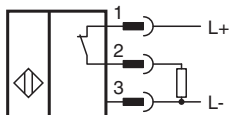
General specifications		
Switching function		Normally closed (NC)
Output type		PNP
Rated operating distance	$s_n$	40 mm
Installation		non-flush
Output polarity		DC
Assured operating distance	$s_a$	0 ... 32.4 mm
Reduction factor $r_{Al}$		0.42
Reduction factor $r_{Cu}$		0.37
Reduction factor $r_{304}$		0.78
Output type		3-wire
Nominal ratings		
Installation conditions		
A		in aluminum: 25 mm in steel 1.0037 (St37): 35 mm in brass 25 mm in stainless steel 20 mm
B		55 mm

Release date: 2025-05-22 Date of issue: 2025-05-22 Filename: 2311576\_eng.pdf

## Technical Data

C		120 mm
F		150 mm
Operating voltage	$U_B$	10 ... 30 V
Switching frequency	f	0 ... 100 Hz
Hysteresis	H	$\leq 10 \%$
Reverse polarity protection		reverse polarity protected
Short-circuit protection		pulsing
Voltage drop	$U_d$	$\leq 2$ V
Operating current	$I_L$	0 ... 200 mA
Off-state current	$I_r$	0 ... 0.1 mA typ. 0.1 $\mu$ A at 25 °C
No-load supply current	$I_0$	$\leq 10$ mA
Switching state indicator		LED, yellow
<b>Functional safety related parameters</b>		
MTTF <sub>d</sub>		211 a
Mission Time (T <sub>M</sub> )		20 a
Diagnostic Coverage (DC)		0 %
<b>Compliance with standards and directives</b>		
Standard conformity		
Standards		EN IEC 60947-5-2
<b>Approvals and certificates</b>		
CCC approval		CCC approval / marking not required for products rated $\leq 36$ V
<b>Ambient conditions</b>		
Ambient temperature		-25 ... 70 °C (-13 ... 158 °F)
<b>Mechanical specifications</b>		
Connection type		Connector plug
Housing material		chromium plated brass
Sensing face		PBT
Degree of protection		IP67
Connector		
Threading		M12 x 1
Number of pins		4
Dimensions		
Length		73.5 mm
Diameter		30 mm

## Connection



## Connection Assignment



Wire colors in accordance with EN 60947-5-2

1	BN	(brown)
2	WH	(white)
3	BU	(blue)
4	BK	(black)

## Installation Conditions

