

Female connector, field-attachable

V19-W-ABG-PG9

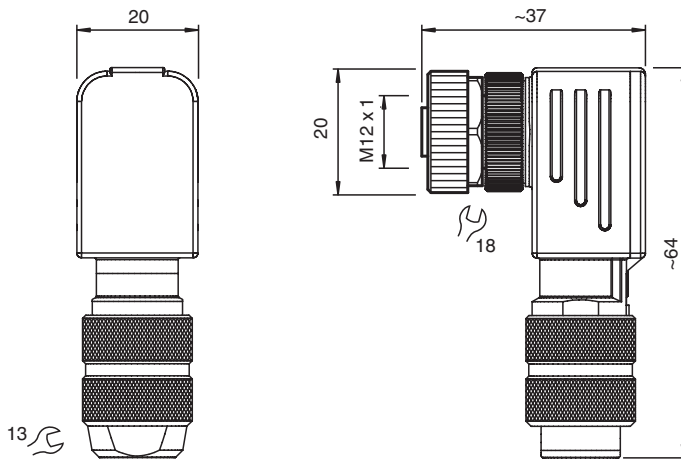


- Field-attachable, shieldable
- Screw terminal connection
- Metal housing
- Iris spring shielding
- Knurled nut suitable for tool assembly
- UL Recognized Component

Female connector M12 angled A-coded 8-pin, for cable diameter 5 - 8 mm, shielded, field-attachable



Dimensions



Technical Data

General specifications		
Connector 1		
Connection		socket
Construction type		M12
Style		angled
Locking		screw connection
Number of pins		8
Coding		A-coded
Customization		Coding not rotateable
Electrical specifications		
Operating voltage	U_B	max. 30 V AC/DC
Operating current	I_B	max. 2 A
Surge protection		Category II
Insulation resistance		min. 100 M Ω
Conformity		
Degree of protection		EN 60529
Plug connection		connector M12 x 1 : IEC 61076-2-101

Release date: 2024-12-05 Date of issue: 2024-12-05 Filename: 231750_eng.pdf

Technical Data

Approvals and certificates

UL File Number	E363587
----------------	---------

Ambient conditions

Ambient temperature	-40 ... 85 °C (-40 ... 185 °F)
Pollution degree	3

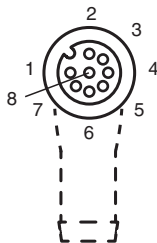
Mechanical specifications

Plug connector	
Tightening torque	0.6 Nm
Tool installation	straight knurling , hexagon nut SW = 18 mm
Mating cycles	min. 100
Shielding	iris spring shielding
Degree of protection	IP67
Connection	screw terminals for max. 0.5 mm ² / AWG 20
Cable	
Sheath diameter	5 ... 8 mm
Core cross section	0.5 mm ² / 20 AWG max.
Installation	screw terminals 0.2 Nm pressure nut 0.8 ... 1 Nm body 1 Nm
Mass	71.91 g
Note	installation: shield diameter ≤ 5.5 mm see instruction leaflet

Material

Plug connector	
Screw connection	Zinc diecast, nickel-plated
Body	Zinc diecast, nickel-plated
Contact surface	gold plated (Au)

Connection Assignment



Installation

