

Y connection cable

ICZ-3T-0,3M-PVC-CCL-V1-G

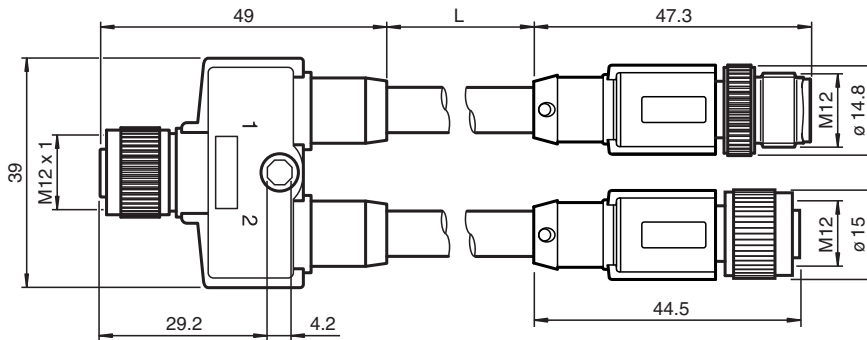


- Replacement of devices without bus interruption possible
- Shield attached to coupling nut
- Shield connected to pin 1
- Data transfer up to 10 MBaud

Y connection cable for CC-Link



Dimensions



Technical Data

General specifications		
Number of pins		3 + 1 x screen
Transfer rate		max. 10 MBit/s
Electrical specifications		
Rated voltage	U_r	60 V
Rated current	I_r	4 A
Volume resistance		$\leq 5 \text{ m}\Omega$
Ambient conditions		
Ambient temperature		Body: -25 ... 90 °C (-13 ... 194 °F) cable, fixed installation: -30 ... 60 °C (-22 ... 140 °F) cable, movable installation: -5 ... 60 °C (23 ... 140 °F)
Mechanical specifications		
Degree of protection		IP65
Connection		M12 connector/socket, 4-pin, A-coded for CC-Link
Material		
Contacts		CuZn
Contact surface		Ni/Au
Body		TPU, black
Cable		PVC
Slotted nut		Zinc diecast, nickel-plated
Core insulation		PE

Release date: 2025-04-10 Date of issue: 2025-04-10 Filename: 231824_eng.pdf

Technical Data

Cable		
Sheath diameter		Ø 7.7 mm
Bending radius		> 10 x cable diameter, fixed installation
Color		red
Cores		3 x 0.5 mm ²
Length	L	0.3 m
Mass		approx. 112 g

Connection Assignment

