

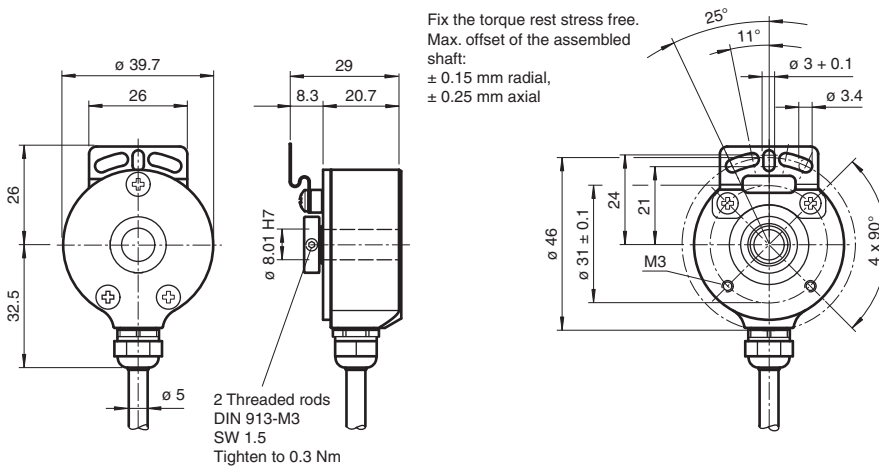
Incremental rotary encoder THI40N-YYAY2R3YN-00011



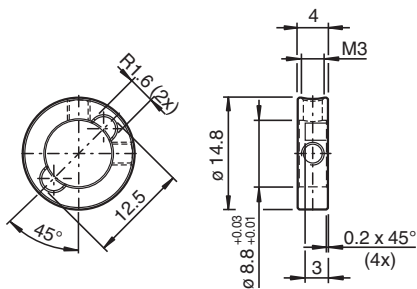
- Compact design
- 11 pulses
- Clamping ring with anti-twist protection = YY
- Polarity reversal protected = Y



Dimensions



YY



Technical Data

General specifications

Detection type	photoelectric sampling
Pulse count	11

Release date: 2024-03-19 Date of issue: 2024-03-19 Filename: 231995_eng.pdf

Technical Data

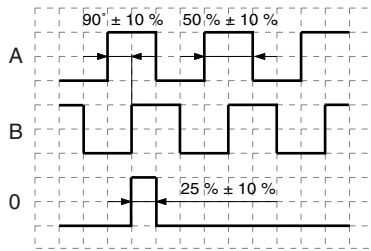
Electrical specifications		
Operating voltage	U_B	4.75 ... 30 V DC Reverse polarity protection
No-load supply current	I_0	max. 55 mA
Output		
Output type		incremental or RS-422, incremental
Voltage drop	U_d	≤ 2.5 V
Load current		max. per channel 30 mA short-circuit protected
Output frequency		max. 100 kHz (max. 100 kHz)
Rise time		980 ns (225 ns)
De-energized delay	t_{off}	980 ns (225 ns)
Connection		
Cable		$\varnothing 5$ mm, 5 x 0.08 mm ² , 2 m
Standard conformity		
Degree of protection		DIN EN 60529, IP54
Climatic testing		DIN EN 60068-2-3, no moisture condensation
Emitted interference		EN 61000-6-4:2007/A1:2011
Noise immunity		EN 61000-6-2:2005
Shock resistance		DIN EN 60068-2-27, 100 g, 6 ms
Vibration resistance		DIN EN 60068-2-6, 10 g, 10 ... 2000 Hz
Approvals and certificates		
UL approval		cULus Recognized, General Purpose, Class 2 Power Source
Maximum permissible ambient temperature		max. 60 °C (max. 140 °F)
Ambient conditions		
Operating temperature		-10 ... 70 °C (14 ... 158 °F)
Storage temperature		-25 ... 85 °C (-13 ... 185 °F)
Mechanical specifications		
Material		
Housing		Aluminum
Flange		Aluminum
Shaft		Stainless steel
Mass		approx. 160 g
Rotational speed		max. 6000 min ⁻¹
Moment of inertia		≤ 5 gcm ²
Starting torque		≤ 1 Ncm

Connection

Signal	Cable
GND	White
+ U_B	Brown
A	Green
B	Grey
0	Yellow
Screen	-

Operation

Signal outputs



↻ cw - in view of the shaft