

AS-Interface splitter box

VAZ-2T8-G11-V1



- Less space required
- Field housing with degree of protection IP67
- Simple and fast mounting
- Distribution to 8 V1 connectors (M12)

Splitter box, M12, AS interface and auxiliary voltage to eight M12 connectors



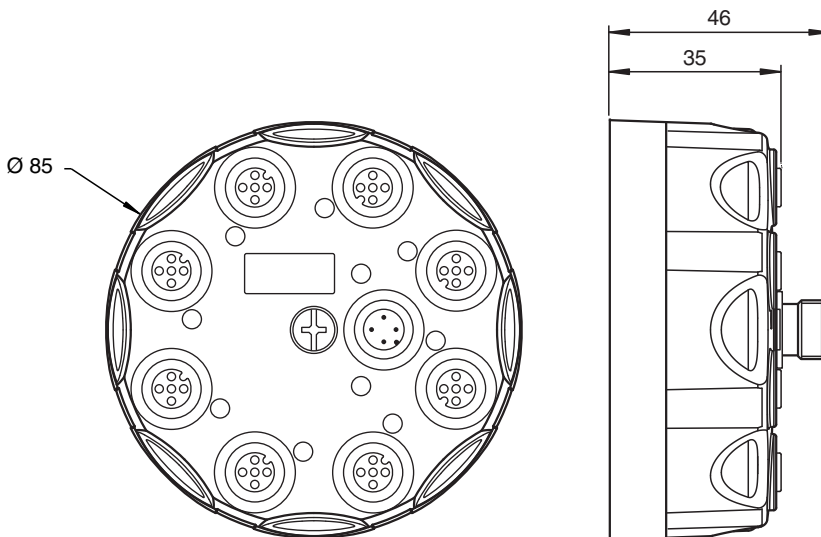
ECOLAB



Function

The VAZ-2T8-G11-* splitter box is used to distribute the AS-Interface connection and the external auxiliary power to eight M12 x 1 quick disconnects. Due to its passivity the distributor does not require an own address on the AS-Interface-net. It is ideal for applications in the field owing to the protection class IP67. LEDs indicate correct polarity of the AS-Interface cable or the external auxiliary power.

Dimensions



Technical Data

Indicators/operating means

LED AS-i	AS-Interface voltage; dual LED green/red green: voltage OK red: reversed voltage
LED AUX	ext. auxiliary voltage U_{AUX} ; dual LED green/red green: voltage OK red: reverse voltage

Release date: 2021-07-20 Date of issue: 2021-07-20 Filename: 233575_eng.pdf

Technical Data

Electrical specifications

Rated operating voltage	U_e	≤ 32 V PELV (AS-Interface , ext. auxiliary voltage AUX)
Rated operating current	I_e	≤ 4 A
Protection class		III
Surge protection		overvoltage category III
Pulse withstand voltage		800 V

Directive conformity

Electromagnetic compatibility		
Directive 2014/30/EU		EN 62026-2:2013

Standard conformity

Degree of protection		EN 60529:2000
AS-Interface		EN 62026-2:2013

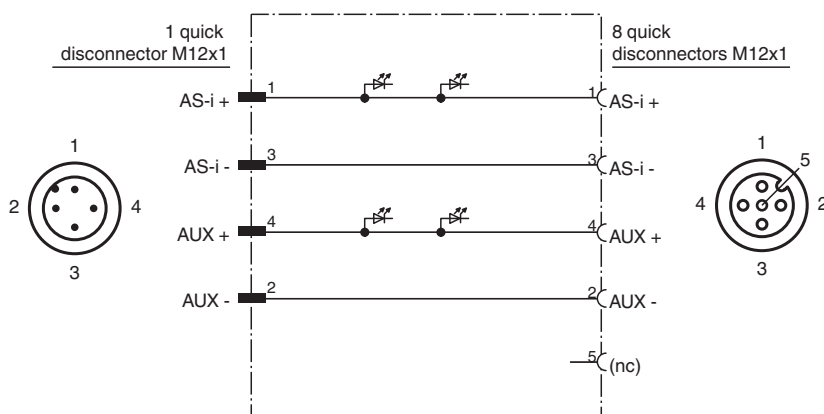
Ambient conditions

Ambient temperature		-25 ... 70 °C (-13 ... 158 °F)
Storage temperature		-25 ... 85 °C (-13 ... 185 °F)
Relative humidity		85 % , noncondensing
Climatic conditions		For indoor use only
Altitude		≤ 2000 m above MSL
Pollution degree		3

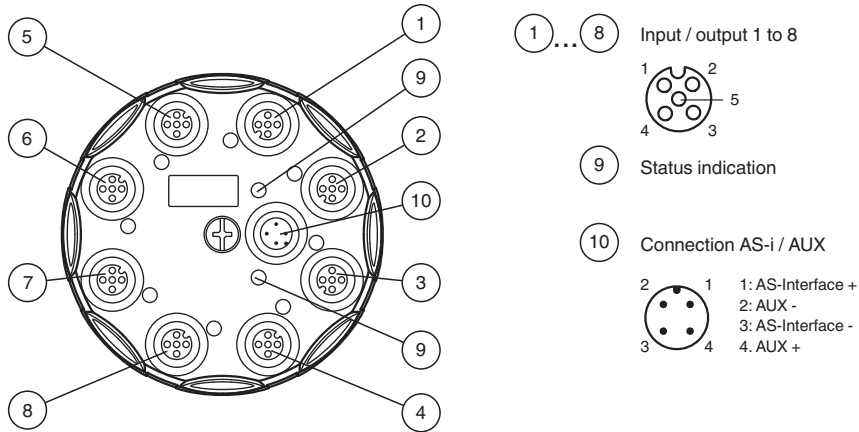
Mechanical specifications

Degree of protection		IP67 according to EN 60529
Connection		Plug connection: M12 x 1 socket (V1) Connector: 1 x M12 connector (V1)
Material		
Contacts		CuSn / Au
Housing		PBT PC
Mounting screw		Stainless steel 1.4305 / AISI 303
Mass		120 g
Tightening torque, housing screws		1.8 Nm
Tightening torque, cable gland		0.4 Nm
Mounting		Mounting plate

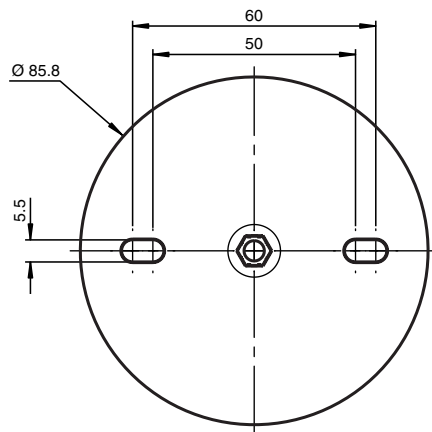
Connection



Assembly



Mounting



Screw the device onto a level mounting surface using two M5 attachment screws. The attachment screws are not included. Screw a blind plug onto spare connections to ensure the protection category.