

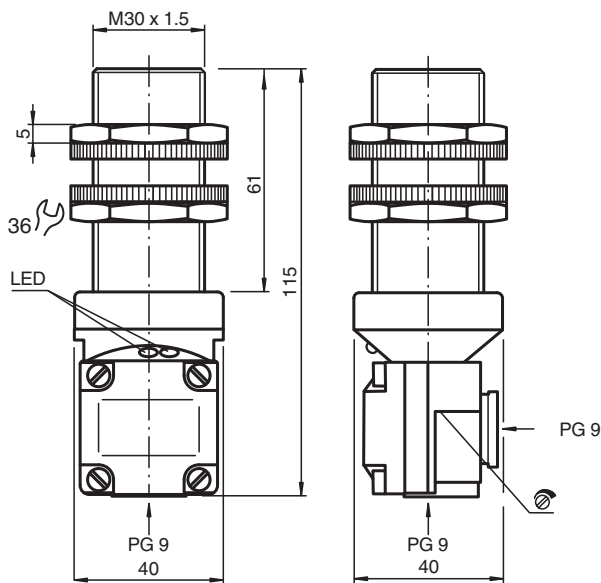


## Capacitive sensor CBB10-30GKK-W

- 10 mm flush
- 15 mm non-flush
- The switching distance can be set over a wide range with the potentiometer
- NO/NC programmable



### Dimensions



### Technical Data

#### General specifications

Switching function		Normally open/closed (NO/NC)
Output type		Two-wire
Rated operating distance	$s_n$	10 mm
Installation		flush
Output polarity		AC
Assured operating distance	$s_a$	0 ... 8.1 mm
Output type		2-wire

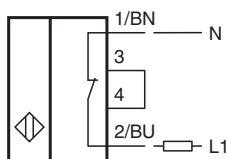
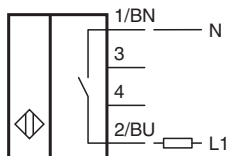
#### Nominal ratings

Installation conditions

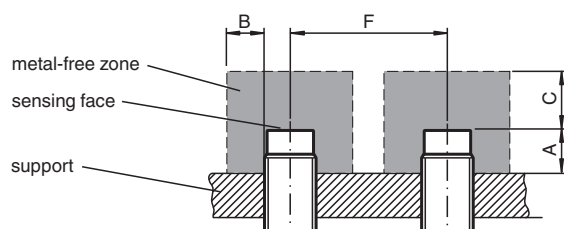
## Technical Data

A		0 mm
B		0 mm
C		20 mm
F		40 mm
Operating voltage	$U_B$	20 ... 250 V AC
Switching frequency	$f$	0 ... 50 Hz
Hysteresis	H	2 ... 20 %
Voltage drop	$U_d$	$\leq 7$ V
Operating current	$I_L$	0 ... 500 mA
Off-state current	$I_r$	0 ... 1.7 mA
Operating voltage indicator		LED, green
Switching state indicator		LED, red
<b>Indicators/operating means</b>		
Potentiometer		sensitivity adjustment
<b>Compliance with standards and directives</b>		
Standard conformity		
Standards		EN 60947-5-2
<b>Ambient conditions</b>		
Ambient temperature		-25 ... 70 °C (-13 ... 158 °F)
<b>Mechanical specifications</b>		
Connection type		screw terminals
Core cross section		up to 2.5 mm <sup>2</sup>
Housing material		ABS
Sensing face		ABS
Degree of protection		IP67

## Connection



## Installation



**Accessories****BF 30**

Mounting flange, 30 mm