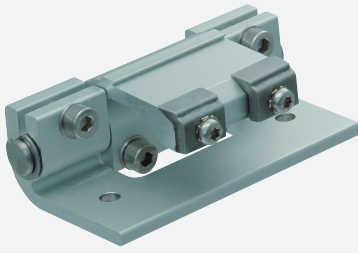


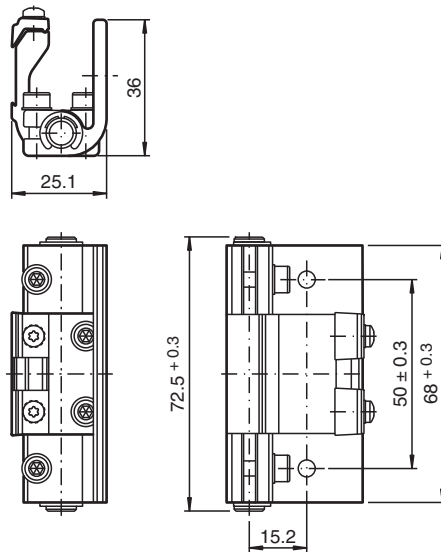
Mounting aid OMH-SLCT-05



- Mounting bracket
- Large swivel range $-7^\circ \dots +110^\circ$
- Sturdy construction
- Simple and fast mounting

Mounting bracket including adjustment

Dimensions

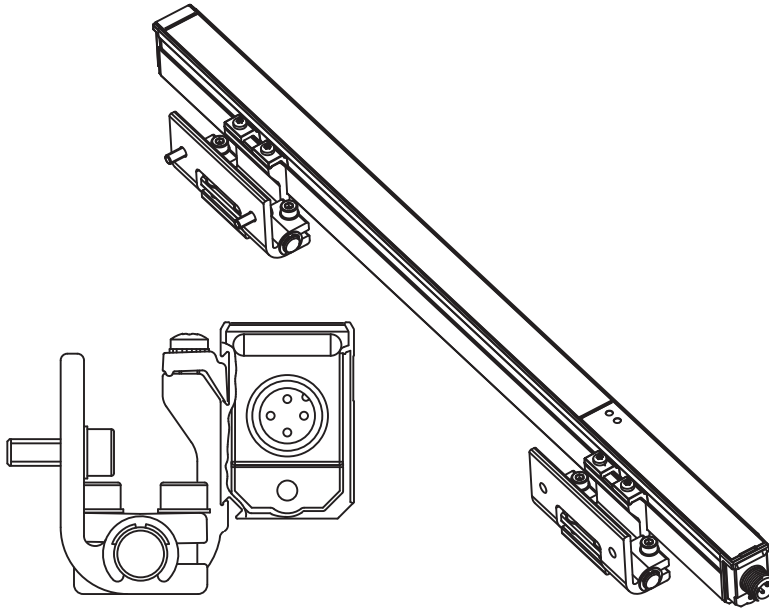


Technical Data

General specifications	
Setting angle	$-7 \dots 110^\circ$
Mechanical specifications	
Material	Aluminum
Mass	approx. 87 g
General information	
Scope of delivery	Mounting bracket ; 1 Slotted plate ; 4 T-slides ; Screw kit
Suitable series	
Safety Series	SLCT SLCS

Release date: 2020-07-31 Date of issue: 2020-10-06 Filename: 235460_eng.pdf

Assembly



Mounting

Each package comes with a slotted plate.

To prevent the t-slides from clipping into the upper hole, cover the hole with the slotted plate. Then slide the t-slides into the guide.

