



Safety Monitor

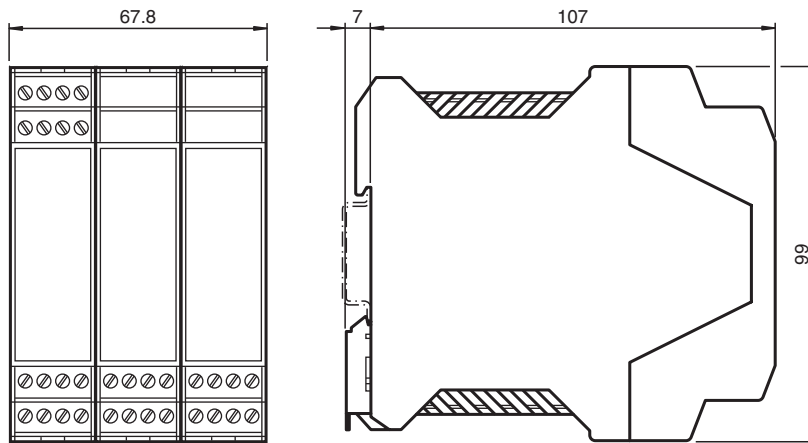
KE5D2-6H/2R-S

- 24 V AC/DC supply
- 6 monitored inputs
- DIN rail mountable
- Dual output relay contacts
- Internal relay monitoring
- Removable screw terminals

Safety Monitor



Dimensions



Technical Data

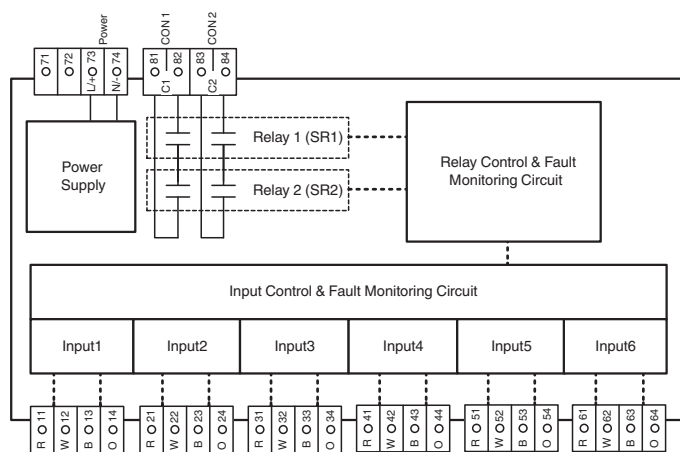
General specifications			
UL File Number		E179102	
Supply			
Rated voltage	U_r	24 V AC/V DC (for AC, 45 ... 62 Hz)	
Rated current	I_r	< 0.5 A	
Power consumption		< 12 W	
Indicators/operating means			
LED green		power	
LED red		sensor status (one per channel/two per input)	
LED red/green		relay : (2) red , (2) green	
Switching state		LED red flashing: fault signal	
Input			
Input type		(6) dedicated input devices for 50FY41-.. series	
Input voltage		12 V DC , (2 channel, sink/source)	
Output			
Current		5 mA to 5 A (NO contact)	
Relay			

Release date: 2024-05-25 Date of issue: 2024-05-25 Filename: 235639_eng.pdf

Technical Data

Switching voltage	20 ... 230 V AC/DC
Switching current	See Specifications in manual for details of currents and cycles
Mechanical life	> 1,000,000 operations
Output I	2 relay outputs , NO Contact
Response time	20 ms (switch open to contact open)
Transfer characteristics	
Time delay before availability	3 s
Compliance with standards and directives	
Directive conformity	
Machinery Directive 2006/42/EC	EN/ISO 13849-1:2023 category 3 PL d
Low Voltage Directive 2006/95/EC	EN 60664-1:2020
EMC Directive 2004/108/EC	EN 61326-1:2021
Standard conformity	
Electromagnetic compatibility	EN 61326-1:2017
Standards	EN 55011:2016+A1:2017+A11:2020+A2:2021 CISPR 11: 2015+A1:2016+A2:2019
Approvals and certificates	
UL approval	UL 508
Ambient conditions	
Ambient temperature	-20 ... 50 °C (-4 ... 122 °F)
Mechanical specifications	
Degree of protection	IP20
Connection	screw connection, max. 2.5 mm ²
Mass	approx. 545 g
Dimensions	
Height	99 mm
Width	67.8 mm
Length	107 mm
Mounting	DIN mounting rail

Connection



Safety Information

Improper installation

This product is designed to conform to the technical requirements of ISO 13849-1:2023. To ensure compliance with these requirements, 50FY41 series sensors and 52FY31 series actuators must be used with the KE5D2-6H/2R-S and KE5A5-6H/2R-S safety monitors. Consult with the local safety agency and its requirements when designing a machine control system, interface, and all control elements that affect safety. Strictly adhere to all installation instructions. Failure to comply with these instructions could result in death or serious injury.

Release date: 2024-05-25 Date of issue: 2024-05-25 Filename: 235639_eng.pdf

Additional Information

See instruction manual for complete product information and installation requirements.

Release date: 2024-05-25 Date of issue: 2024-05-25 Filename: 235639_eng.pdf