

Surge Protection Barrier

M-LB-2.275TN.D

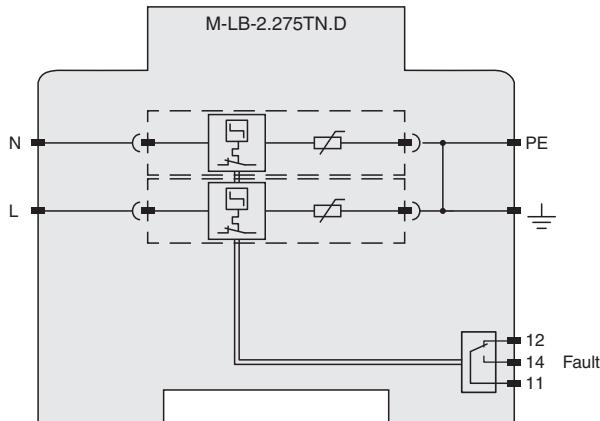
- Surge protection for 2 supply lines
- Type 2 acc. to EN 61643-11
- For TN systems (230 V AC)
- Pre-wired unit
- Operating state and fault indication of every protected line
- Fault indication output
- DIN rail mountable



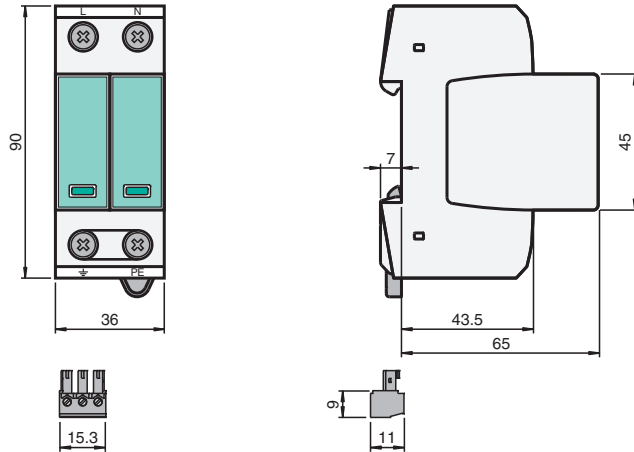
Function

This device is a modular surge protection barrier (type 2 acc. to EN 61643-11) with error message output (floating changeover contact). The complete device consists of a base module and plug-in protection modules and is ready for installation. Every protection module is locked in the base module and can be changed without tools via release buttons.

Connection



Dimensions



Technical Data

| | |
|--|---|
| Search characteristics | |
| Network configuration | TN |
| General specifications | |
| Device type | type 2 acc. to EN 61643-11 class II acc. to IEC 61643-1 |
| Number of protected supply lines | 2 |
| Suitable components | protection module M-LB-1.275.M |
| Electrical specifications | |
| Nominal voltage | 230 V AC, 50 ... 60 Hz |
| Maximum continuous operating voltage | U_c 275 V AC, 50 ... 60 Hz |
| Temporary over-voltage | U_t 335 V / 5 s (TOV withstand) |
| Nominal discharge current (8/20 μ s) | I_n 20 kA |
| Max. surge current (8/20 μ s) | I_{max} 40 kA |
| Voltage protection level | U_p max. 1.25 kV max. 1 kV at 5 kA |
| Reaction time | t_A max. 25 ns |
| Short-circuit-proof | 50 kA _{eff} |
| Overcurrent protection | max. 125 A gG , mains-side |
| Fault indication output | |
| Connection | terminals 11, 12, 14 |
| Output | volt-free change-over contact |
| Switch power | AC: 250 V / 0.5 A DC: 250 V/0.1 A; 125 V/0.2 A; 75 V/0.5 A; 24 V/0.5 A |
| Indicators/settings | |
| Display elements | status display operating state (green) fault indication (red) |
| Directive conformity | |
| Low voltage | |
| Directive 2014/35/EU | EN 61643-11:2012 |
| Conformity | |
| Degree of protection | IEC 60529 |
| Shock resistance | EN 60068-2 |
| Vibration resistance | EN 60068-2 |
| Ambient conditions | |
| Ambient temperature | -40 ... 80 °C (-40 ... 176 °F) |
| Relative humidity | 5 ... 95 % |
| Mechanical specifications | |

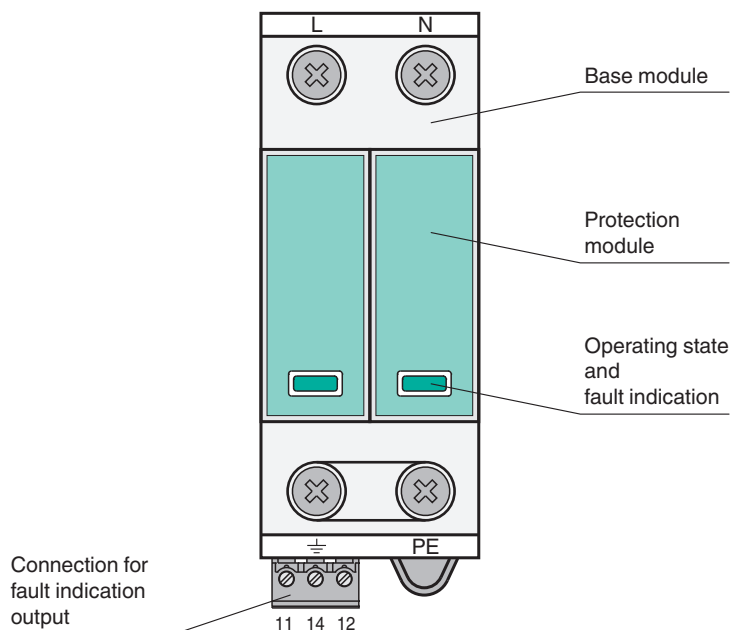
Release date: 2022-01-13 Date of issue: 2022-01-13 Filename: 235906_eng.pdf

Technical Data



| | |
|----------------------------|---|
| Degree of protection | IP20 |
| Core cross section | - min. 1.5 mm ² solid/flexible - max. 35 mm ² stranded/25 mm ² flexible - max. 1.5 mm ² solid/flexible (for remote signalling contact) |
| Material | |
| Housing | thermoplastic, color grey , UL 94 V-0 |
| Mass | approx. 240 g |
| Dimensions | 36 x 90 x 72 mm (1.4 x 3.6 x 2.8 inch) (W x H x D) , 2 TE acc. to DIN 43880 |
| Mounting | on 35 mm DIN mounting rail acc. to EN 60715:2001 |
| General information | |
| Supplementary information | Observe the certificates, declarations of conformity, instruction manuals, and manuals where applicable. For information see www.pepperl-fuchs.com . |

Assembly

Front view



Accessories

| | | |
|---|---------------------|--|
|  | M-LB-1.NPE.M | Protection Module for Surge Protection Barrier |
|  | M-LB-1.275.M | Protection Module for Surge Protection Barrier |