

Surge Protection Barrier

M-LB-3.275TNC.D

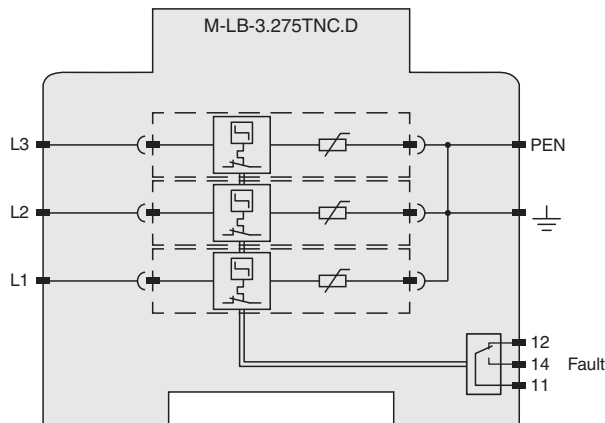
- Surge protection for 3 supply lines
- Type 2 acc. to EN 61643-11
- For TN-C systems (230 V AC/400 V AC)
- Pre-wired unit
- Operating state and fault indication of every protected line
- Fault indication output
- DIN rail mountable



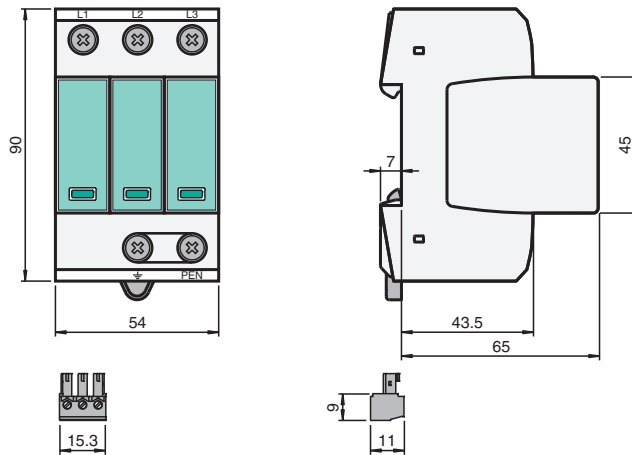
Function

This device is a modular surge protection barrier (type 2 acc. to EN 61643-11) with error message output (floating changeover contact). The complete device consists of a base module and plug-in protection modules and is ready for installation. Every protection module is locked in the base module and can be changed without tools via release buttons.

Connection



Dimensions



Technical Data

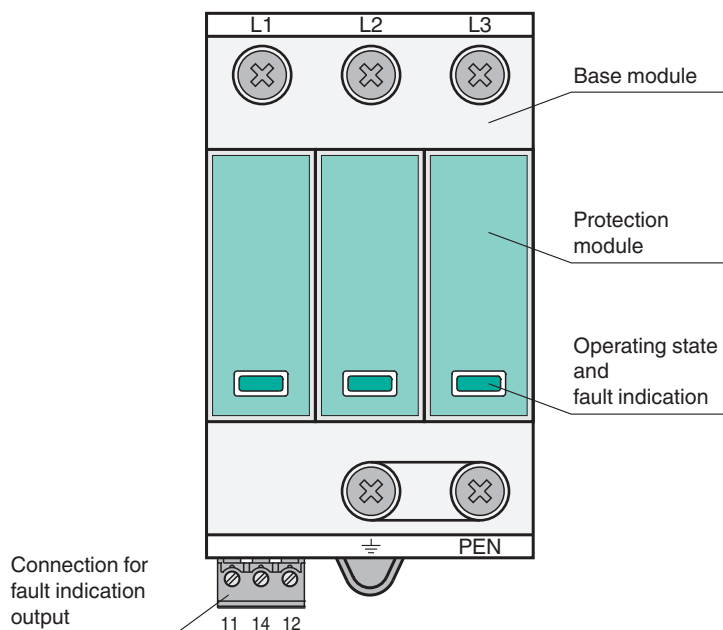
Search characteristics	
Network configuration	TN-C
General specifications	
Device type	type 2 acc. to EN 61643-11 class II acc. to IEC 61643-1
Number of protected supply lines	3
Suitable components	protection module M-LB-1.275.M
Electrical specifications	
Nominal voltage	230 V AC, 50 ... 60 Hz 400 V AC, 50 ... 60 Hz
Maximum continuous operating voltage	U_c 275 V AC, 50 ... 60 Hz
Temporary over-voltage	U_t 335 V / 5 s (TOV withstand)
Nominal discharge current (8/20 μ s)	I_n 20 kA
Max. surge current (8/20 μ s)	I_{max} 40 kA
Voltage protection level	U_p max. 1.25 kV max. 1 kV at 5 kA
Reaction time	t_A max. 25 ns
Short-circuit-proof	50 kA _{eff}
Overcurrent protection	max. 125 A gG , mains-side
Fault indication output	
Connection	terminals 11, 12, 14
Output	volt-free change-over contact
Switch power	AC: 250 V / 0.5 A DC: 250 V/0.1 A; 125 V/0.2 A; 75 V/0.5 A; 24 V/0.5 A
Indicators/settings	
Display elements	status display operating state (green) fault indication (red)
Directive conformity	
Low voltage	
Directive 2014/35/EU	EN 61643-11:2012
Conformity	
Degree of protection	IEC 60529
Shock resistance	EN 60068-2
Vibration resistance	EN 60068-2
Ambient conditions	
Ambient temperature	-40 ... 80 °C (-40 ... 176 °F)
Relative humidity	5 ... 95 %
Mechanical specifications	

Technical Data

Degree of protection	IP20
Core cross section	- min. 1.5 mm ² solid/flexible - max. 35 mm ² stranded/25 mm ² flexible - max. 1.5 mm ² solid/flexible (for remote signalling contact)
Material	
Housing	thermoplastic, color grey , UL 94 V-0
Mass	approx. 360 g
Dimensions	54 x 90 x 72 mm (2.1 x 3.6 x 2.8 inch) (W x H x D) , 3 TE acc. to DIN 43880
Mounting	on 35 mm DIN mounting rail acc. to EN 60715:2001
General information	
Supplementary information	Observe the certificates, declarations of conformity, instruction manuals, and manuals where applicable. For information see www.pepperl-fuchs.com .

Assembly

Front view



Accessories

	M-LB-1.NPE.M	Protection Module for Surge Protection Barrier
	M-LB-1.275.M	Protection Module for Surge Protection Barrier