



## Surge Protection Barrier

### M-LB-4.150TNS.D

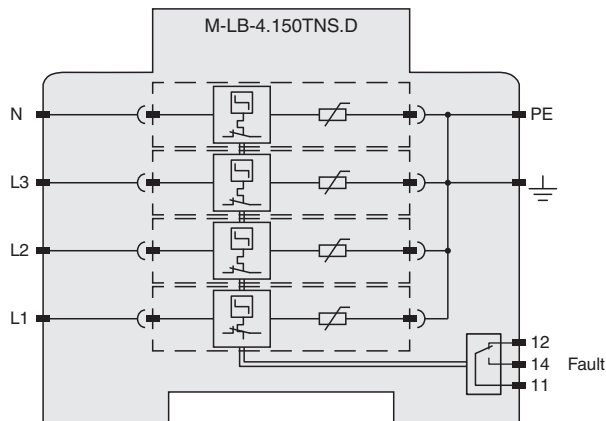
- Surge protection for 4 supply lines
- Type 2 acc. to EN 61643-11
- For TN-S systems (120 V AC/240 V AC)
- Pre-wired unit
- Operating state and fault indication of every protected line
- Fault indication output
- DIN rail mountable



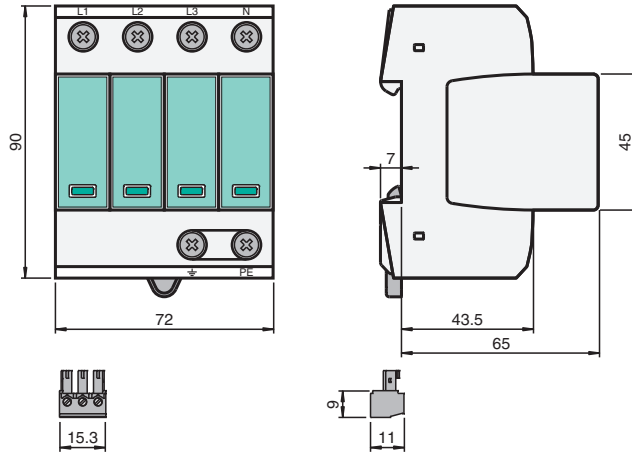
### Function

This device is a modular surge protection barrier (type 2 acc. to EN 61643-11) with error message output (floating changeover contact). The complete device consists of a base module and plug-in protection modules and is ready for installation. Every protection module is locked in the base module and can be changed without tools via release buttons.

### Connection



## Dimensions



## Technical Data

<b>Search characteristics</b>	
Network configuration	TN-S
<b>General specifications</b>	
Device type	type 2 acc. to EN 61643-11 class II acc. to IEC 61643-1
Number of protected supply lines	4
Suitable components	protection module M-LB-1.150.M
<b>Electrical specifications</b>	
Nominal voltage	120 V AC, 50 ... 60 Hz 240 V AC, 50 ... 60 Hz
Maximum continuous operating voltage	$U_c$ 150 V AC, 50 ... 60 Hz
Temporary over-voltage	$U_t$ 175 V / 5 s (TOV withstand)
Nominal discharge current (8/20 $\mu$ s)	$I_n$ 15 kA
Max. surge current (8/20 $\mu$ s)	$I_{max}$ 40 kA
Voltage protection level	$U_p$ max. 0.7 kV max. 0.55 kV at 5 kA
Reaction time	$t_A$ max. 25 ns
Short-circuit-proof	50 kA <sub>eff</sub>
<b>Fault indication output</b>	
Connection	terminals 11, 12, 14
Output	volt-free change-over contact
Switch power	AC: 250 V / 0.5 A DC: 250 V/0.1 A; 125 V/0.2 A; 75 V/0.5 A; 24 V/0.5 A
<b>Indicators/settings</b>	
Display elements	status display operating state (green) fault indication (red)
<b>Directive conformity</b>	
Low voltage	
Directive 2014/35/EU	EN 61643-11:2012
<b>Conformity</b>	
Degree of protection	IEC 60529
Shock resistance	EN 60068-2
Vibration resistance	EN 60068-2
<b>Ambient conditions</b>	
Ambient temperature	-40 ... 80 °C (-40 ... 176 °F)
Relative humidity	5 ... 95 %
<b>Mechanical specifications</b>	
Degree of protection	IP20

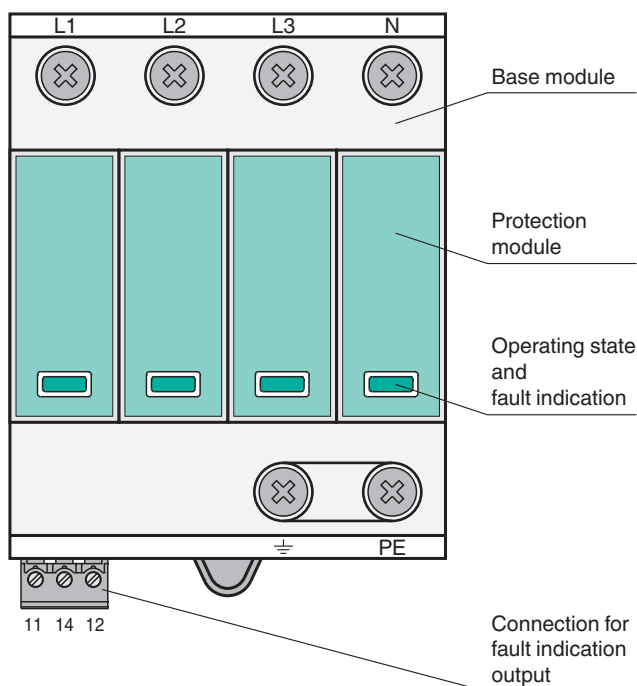
Release date: 2022-01-13 Date of issue: 2022-01-13 Filename: 235912\_eng.pdf

## Technical Data


Core cross section	- min. 1.5 mm <sup>2</sup> solid/flexible - max. 35 mm <sup>2</sup> stranded/25 mm <sup>2</sup> flexible - max. 1.5 mm <sup>2</sup> solid/flexible (for remote signalling contact)
Material	
Housing	thermoplastic, color grey , UL 94 V-0
Mass	approx. 480 g
Dimensions	72 x 90 x 72 mm (2.8 x 3.6 x 2.8 inch) (W x H x D) , 4 TE acc. to DIN 43880
Mounting	on 35 mm DIN mounting rail acc. to EN 60715:2001
<b>General information</b>	
Supplementary information	Observe the certificates, declarations of conformity, instruction manuals, and manuals where applicable. For information see <a href="http://www.pepperl-fuchs.com">www.pepperl-fuchs.com</a> .

## Assembly

### Front view



## Accessories

	<b>M-LB-1.150.M</b>	Protection Module for Surge Protection Barrier
---	---------------------	--