

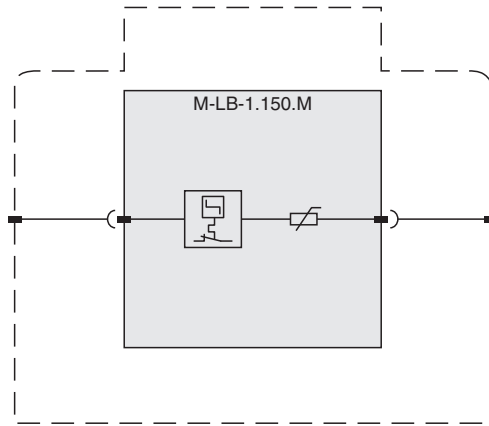
Protection Module for Surge Protection Barrier

M-LB-1.150.M

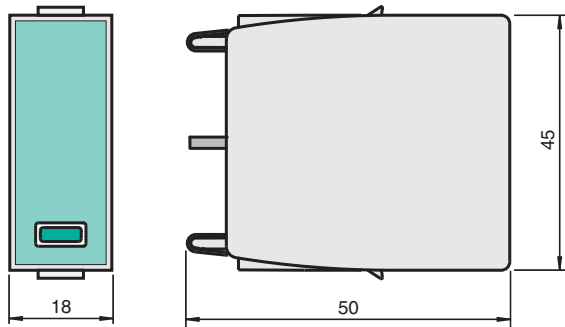
- Protection module for 1 supply line
- Type 2 acc. to EN 61643-11
- Exchange device for surge protection barrier M-LB-*.150*.D
- Easy replacement of protection modules without tools
- High discharge capacity
- Module can be exchanged under voltage (hot swap)



Connection



Dimensions



Technical Data

General specifications		
Device type		type 2 acc. to EN 61643-11 class II acc. to IEC 61643-1
Number of protected supply lines		1
Electrical specifications		
Maximum continuous operating voltage	U_c	150 V AC
Nominal discharge current (8/20 μ s)	I_n	15 kA
Max. surge current (8/20 μ s)	I_{max}	40 kA
Indicators/settings		
Display elements		status display operating state (green) fault indication (red)
Directive conformity		
Low voltage		
Directive 2014/35/EU		EN 61643-11:2012
Conformity		
Degree of protection		IEC 60529
Shock resistance		EN 60068-2
Vibration resistance		EN 60068-2
Ambient conditions		
Ambient temperature		-40 ... 80 °C (-40 ... 176 °F)
Mechanical specifications		
Degree of protection		IP20
Material		
Housing		thermoplastic, color grey , UL 94 V-0
Mass		approx. 50 g
Dimensions		18 x 45 x 50 mm (0.7 x 1.8 x 2 inch) (W x H x D) , 1 TE acc. to DIN 43880
Mounting		in the surge protection barrier M-LB-*,****,*
General information		
Supplementary information		Observe the certificates, declarations of conformity, instruction manuals, and manuals where applicable. For information see www.pepperl-fuchs.com .