

# Male connector, field-attachable

## V1S-W-SC

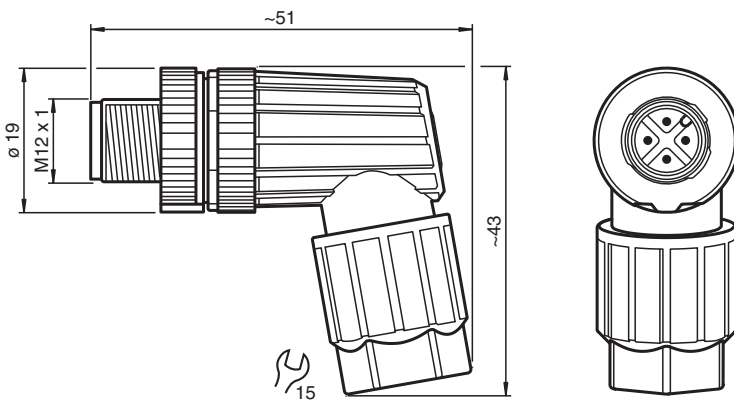


- Field-attachable
- Cage spring connection
- Metal locking
- Knurled nut suitable for tool assembly

Male connector M12 angled A-coded 4-pin, for cable diameter 4 - 8 mm, field-attachable, cage spring connection



### Dimensions



### Technical Data

#### General specifications

Connector 1		
Connection		plug
Construction type		M12
Style		angled
Locking		screw connection
Number of pins		4
Coding		A-coded
Customization		Coding rotateable in steps of 45°

#### Electrical specifications

Operating voltage	$U_B$	max. 250 V AC/DC
Operating current	$I_B$	max. 4 A
Volume resistance		< 5 mΩ
Insulation resistance		min. 100 MΩ

#### Conformity

Degree of protection		EN 60529
Plug connection		connector M12 x 1 : IEC 61076-2-101

#### Ambient conditions

Release date: 2025-01-30 Date of issue: 2025-01-30 Filename: 236061\_eng.pdf

## Technical Data

Ambient temperature	-40 ... 85 °C (-40 ... 185 °F)
Pollution degree	3
<b>Mechanical specifications</b>	
Plug connector	
Tightening torque	0.4 Nm
Tool installation	straight knurling
Mating cycles	min. 100
Degree of protection	IP67
Connection	Cage spring connection for 0.14 ... 0.75 mm <sup>2</sup> / 26 ... 18 AWG
Cable	
Sheath diameter	4 ... 8 mm
Core cross section	0.75 mm <sup>2</sup> / 18 AWG max.
Mass	22.6 g
<b>Material</b>	
Plug connector	
Screw connection	CuZn, nickel-plated
Body	PA, black
Seal	NBR
Contact surface	Ni/Au

## Connection Assignment

