

AS-Interface splitter box

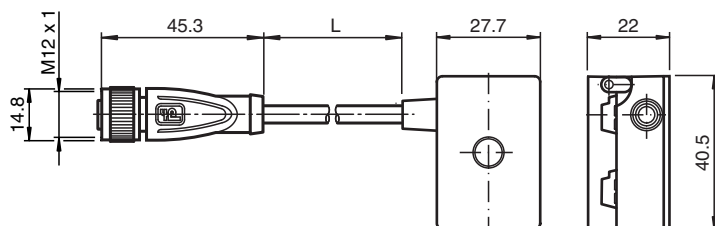
VAZ-T1-FK-G10-0,3M-PUR-V1-G

- One piece housing
- Simple and fast mounting
- Gold-plated and machined contacts
- Oil and abrasion resistant PUR line appropriate for drag chains
- Immunity to vibration
- Degree of protection IP68 / IP69K
- Halogen-free

Splitter box G10, AS-Interface to 1x M12 round connector



Dimensions



Technical Data

General specifications

Construction type	Socket, straight Flat cable terminal AS-Interface
-------------------	--

Electrical specifications

Rated operating voltage	U_e	≤ 60 V PELV
Rated operating current	I_e	≤ 3 A
Protection class		III
Current loading capacity		max. 4 A
Surge protection		overvoltage category III

Compliance with standards and directives

Standard conformity		
Degree of protection		EN 60529:2000

Approvals and certificates

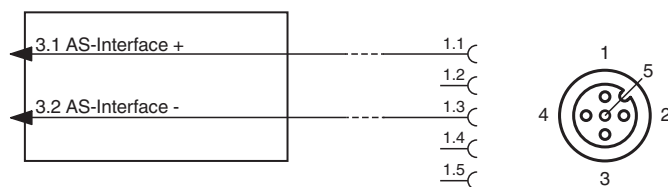
UL approval		cULus Listed, Type 1 enclosure
Application		for use in NFPA 79 applications
Maximum permissible operating voltage		max. 32 V
Maximum permissible ambient temperature		max. 55 °C (max. 131 °F)

Release date: 2024-12-12 Date of issue: 2024-12-12 Filename: 237418_eng.pdf

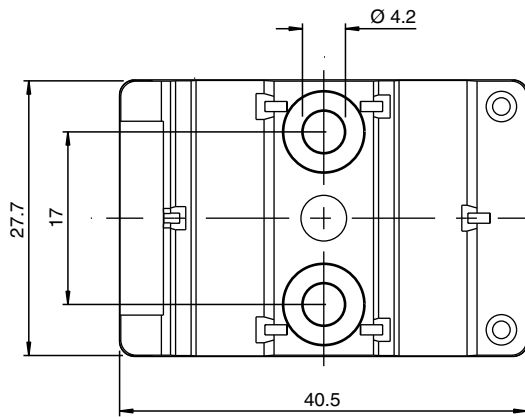
Technical Data

UL File Number		E223772
Ambient conditions		
Ambient temperature		-25 ... 75 °C (-13 ... 167 °F)
Storage temperature		-25 ... 85 °C (-13 ... 185 °F)
Pollution degree		3
Mechanical specifications		
Degree of protection		IP67 IP67 / IP68 / IP69K with flat cable VAZ-FK-S-*
Connection		Flat cable AS-Interface: cable piercing method Plug connection: M12 x 1 socket (V1)
Material		
Contacts		CuSn / Au
Housing		PBT PC
Body		PUR, black
Cable		PUR
Mounting screw		Stainless steel 1.4305 / AISI 303
Cable		
Sheath diameter		Ø4,3 mm
Color		black
Cores		2 x 0.34 mm ²
Length	L	30 cm
Mass		60 g
Tightening torque, fastening screws		1.65 Nm
Dimensions		
Height		22 mm
Width		27.7 mm
Length		40.5 mm
Note		The unused flat cable connector is closed with a seal.

Connection



Mounting



You may screw the device onto a level mounting surface using two M4 attachment screws. The attachment screws are not included.