

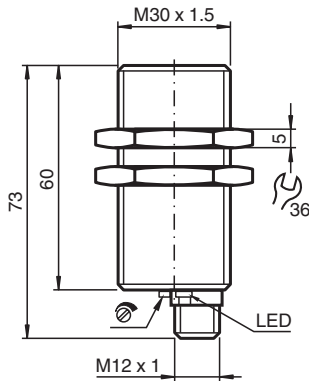


## Capacitive sensor CCB10-30GS60-E2-V1

- 10 mm flush
- Operating distance adjustable via potentiometer
- High EMC resistance
- Stainless steel version
- Operating voltage range 10 V ... 60 V DC



### Dimensions



### Technical Data

#### General specifications

Switching function		Normally open (NO)
Output type		PNP
Rated operating distance	$s_n$	10 mm
Installation		flush
Output polarity		DC
Assured operating distance	$s_a$	0 ... 8.1 mm
Output type		3-wire

#### Nominal ratings

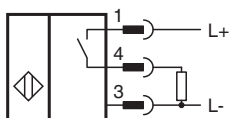
Installation conditions		
A		0 mm
B		0 mm
C		20 mm
F		40 mm
Operating voltage	$U_B$	10 ... 60 V DC
Switching frequency	$f$	0 ... 10 Hz
Reverse polarity protection		reverse polarity protected
Short-circuit protection		pulsing
Voltage drop	$U_d$	$\leq 2.8$ V
Operating current	$I_L$	0 ... 200 mA

Release date: 2025-06-04 Date of issue: 2025-06-04 Filename: 237550\_eng.pdf

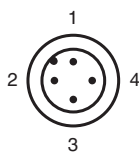
## Technical Data

Off-state current	$I_r$	0 ... 0.5 mA typ. 0.1 $\mu$ A at 25 °C
Off-state current $T_U=40$ °C, switching element off		$\leq 100$ $\mu$ A
No-load supply current	$I_0$	$\leq 20$ mA
Time delay before availability	$t_v$	$\leq 50$ ms
Switching state indicator		LED, yellow
<b>Functional safety related parameters</b>		
MTTF <sub>d</sub>		760 a
Mission Time ( $T_M$ )		20 a
Diagnostic Coverage (DC)		0 %
<b>Indicators/operating means</b>		
Potentiometer		sensitivity adjustment
<b>Compliance with standards and directives</b>		
Standard conformity		
Standards		EN IEC 60947-5-2
<b>Approvals and certificates</b>		
UL approval		cULus Listed, General Purpose
CCC approval		Certified by China Compulsory Certification (CCC)
<b>Ambient conditions</b>		
Ambient temperature		-25 ... 70 °C (-13 ... 158 °F)
Storage temperature		-40 ... 85 °C (-40 ... 185 °F)
<b>Mechanical specifications</b>		
Connection type		Connector plug
Housing material		Stainless steel 1.4305 / AISI 303
Sensing face		PBT
Degree of protection		IP67
<b>Connector</b>		
Threading		M12 x 1
Number of pins		4
<b>Dimensions</b>		
Length		60 mm
Diameter		30 mm

## Connection



## Connection Assignment



## Connection Assignment

Wire colors in accordance with EN 60947-5-2

1	BN	(brown)
2	WH	(white)
3	BU	(blue)
4	BK	(black)

## Installation Conditions

