



Mounting aid OMH-ML300-01

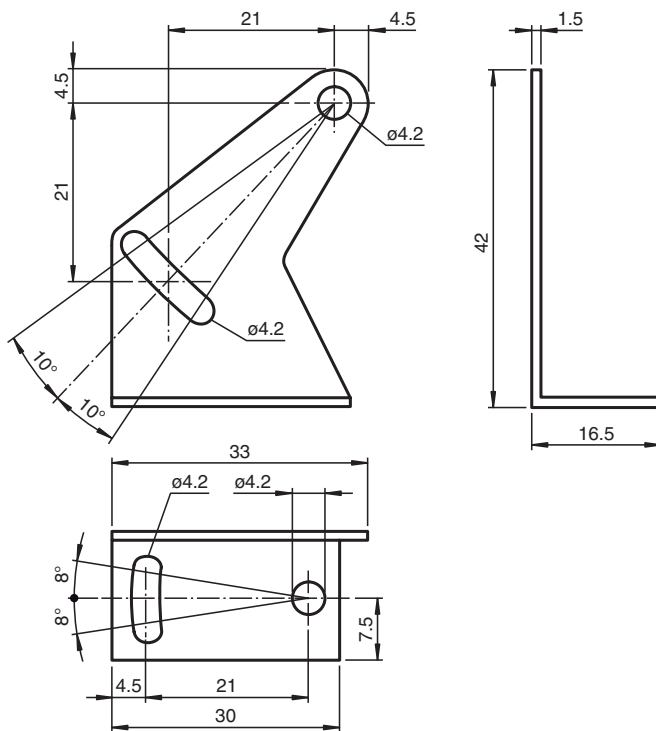


- Mounting accessories for ML300 series sensors
- Simple and fast mounting

Bracket for mounting ML300 series sensors



Dimensions



Technical Data

Mechanical specifications

Material	Zinc plated steel
Mass	approx. 13 g
Mounting	Mounting accessories included

Suitable series

Series	ML300
--------	-------