

Barcode scanner

TC1200-1000

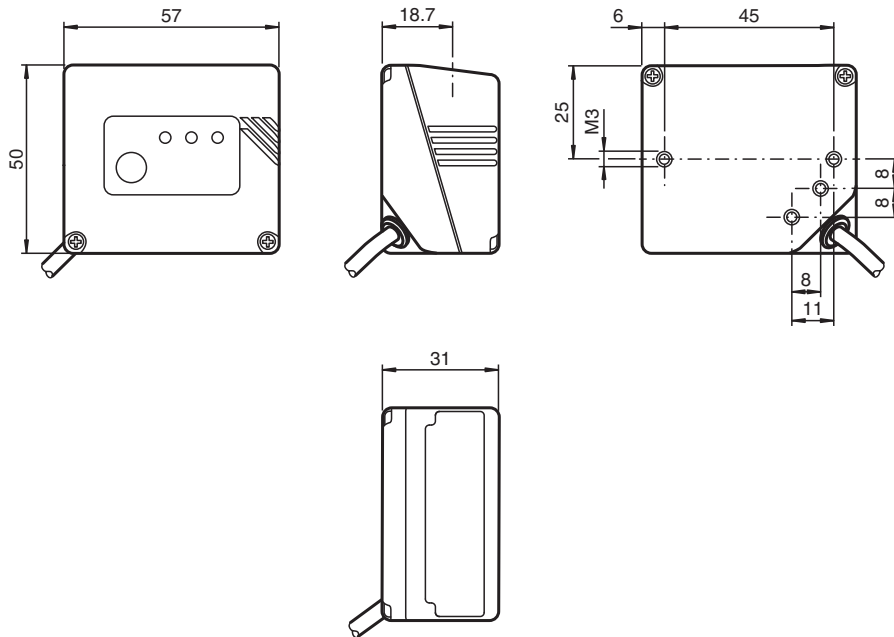


- CCD line scanner
- Small, compact design
- Programmable via Windows software

CCD barcode scanner



Dimensions



Technical Data

General specifications

Light type	4 Red LED, 630 nm
Symbologies	EAN/UPC, Code 39, Code 32, Code 128, GS1-128, ISBT 128, Interleaved and Standard 2 of 5, Codabar, ABC Codabar, GS1 Databar (Omnidirectional, Limited, Expanded), Code 93, Code 11, MSI
Scan rate	320 s ⁻¹

Release date: 2022-11-28 Date of issue: 2022-11-28 Filename: 238829_eng.pdf

Technical Data

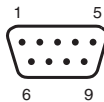
Read distance		50 ... 430 mm
Optical face		frontal
Resolution		0.1 mm (4 mils)
Nominal ratings		
Camera		
Type		CCD
Number of pixels		3648 pixels
Indicators/operating means		
Operation indicator		Power on
Function indicator		LED signals the successful read-in of a barcode (GOOD READ) LED Trigger
Control elements		Button for manual triggering
Electrical specifications		
Operating voltage	U_B	5 V \pm 5 %
Operating current	I_B	350 mA
Power consumption	P_0	1.75 W
Interface		
Interface type		serial RS 232
Input		
Input type		Optocoupler
Number/Type		1 trigger input (Internal or external power supply)
Output		
Number/Type		2 electronic outputs controllable per software
Switching voltage		max. 30 V DC
Switching current		max. 30 mA
Ambient conditions		
Ambient temperature		0 ... 50 °C (32 ... 122 °F)
Storage temperature		-20 ... 70 °C (-4 ... 158 °F)
Relative humidity		90 % , noncondensing
Shock resistance		IEC 68-2-27 Test EA 30G; 11 ms; 3 impacts on each axis
Vibration resistance		IEC 68-2-6 Test FC 1.5 mm ; 10 ... 55 Hz ; 2 hours on each axis
Mechanical specifications		
Degree of protection		IP64
Connection		fixed cable with 9-pin Sub-D connector
Material		
Housing		Plastic ABS
Cable		
Length	L	100 cm
Mass		120 g

Release date: 2022-11-28 Date of issue: 2022-11-28 Filename: 238829_eng.pdf

Connection

Pin	Name	Function
1	VCC+	Operating voltage +
2	GND	Operating voltage -
3	RX	RS 232 receive data
4	TX	RS 232 transmit data
5	OUT1+	Output1 +
6	OUT1/2-	Output1/2 -
7	OUT2+	Output2 +
8	Ext. TRIG. A	External trigger input
9	Ext. TRIG. B	External trigger input

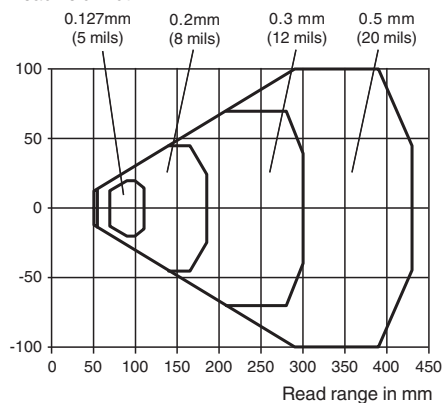
Connection Assignment



Characteristic Curve

Reading characteristics

Read field width in mm



Accessories



CAB-TC1200

Adapter cable TC1200 on connection box



CBX100

Connector box for barcode scanner