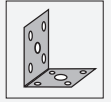




## Mounting aid OMH-LGS-01

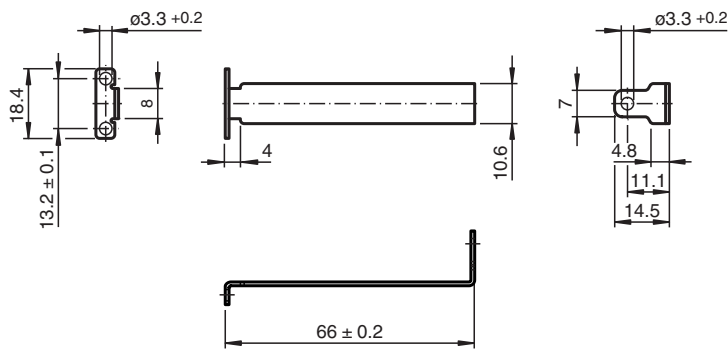
- Mounting bracket
- Simple and fast mounting



Attachment aid for light grid series LGS/LGM



### Dimensions



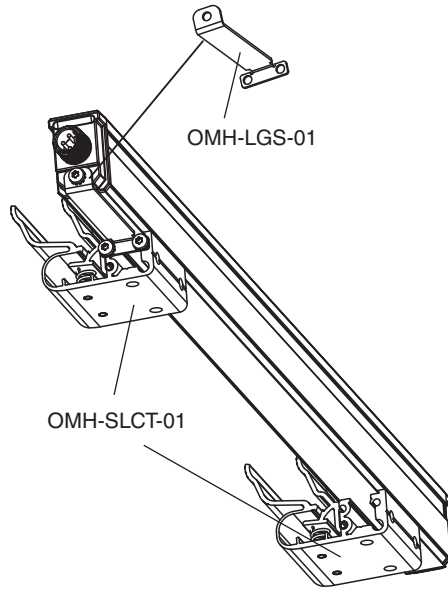
### Technical Data

#### Mechanical specifications

Material	Stainless steel
Mass	approx. 12 g
Mounting	Mounting accessories included

#### Suitable series

Safety Series	LGS
---------------	-----



## Accessories



**OMH-SLCT-01**

Quick clamp and adjustment system