



Diagnostic Gateway Kit

FieldConnex® Fieldbus

KT-MB-GT2AD.FF

- System integration kit for Advanced Diagnostics
- PCS integration via Diagnostic Manager or device DTM
- Simple automatic setup of Advanced Diagnostics
- Common alarm handling
- For FOUNDATION Fieldbus and PROFIBUS PA
- Installation in Zone 2

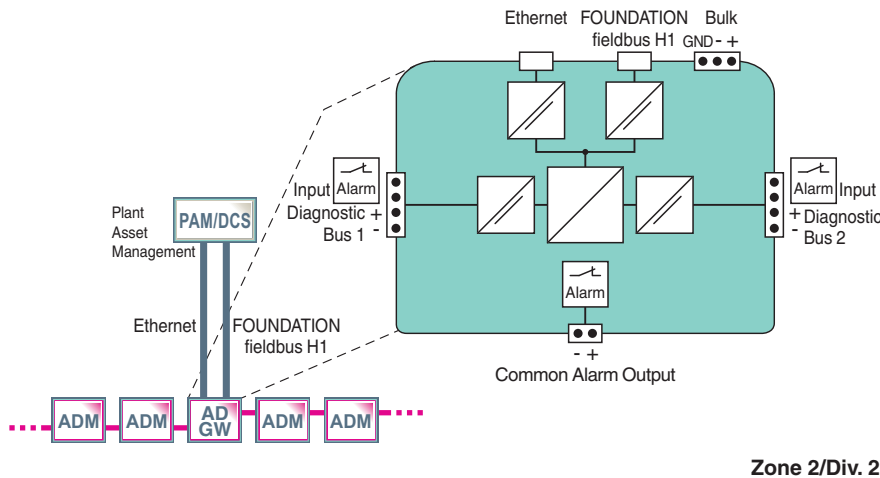
Diagnostic gateway kit with Ethernet, FF-H1 interface for advanced diagnostics



Function

The FieldConnex® Diagnostic Gateway is the interface between stationary Advanced Diagnostic Modules (ADM) and the control system. It offers access to all ADM data in two ways: via Ethernet and the Diagnostic Manager software or via FOUNDATION Fieldbus H1 and DTM/EDD or both. The gateway configures itself and automatically detects the ADMs. The Diagnostic Manager automatically finds gateways on the same subnet. The setup of the diagnostic bus and all connected modules is automatic. This significantly simplifies engineering of FieldConnex® Advanced Diagnostics.

Connection



Zone 2/Div. 2

Technical Data

General specifications

Design / Mounting	Motherboard based		
Installation in hazardous area	Zone 2 / Div. 2		
Supply			
Rated voltage	U_r	19.2 ... 35 V DC SELV/PELV	
Rated current	I_r	120 ... 70 mA	
Power dissipation	max. 2.5 W		
Fieldbus connection			
Number of segments	4		
Fieldbus type	FOUNDATION Fieldbus		
Physical layer profile	profile type 114		

Release date: 2024-09-20 Date of issue: 2024-09-20 Filename: 239818_eng.pdf

Technical Data

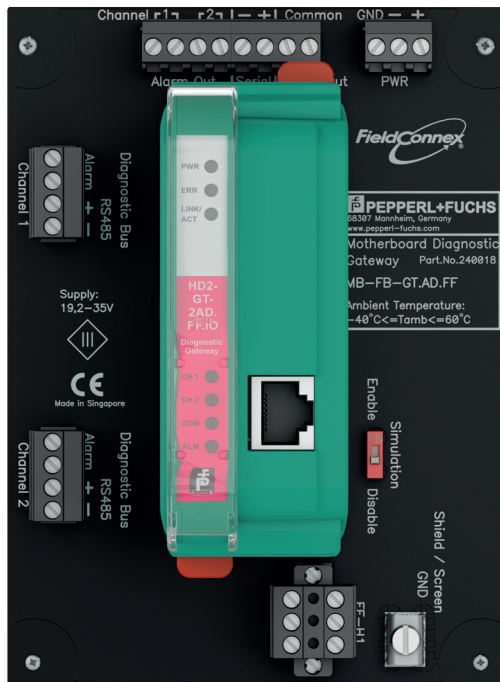
ITK version		6
Implementation		resource block 1x RS function block 4x MDI, 1x MDO, 1x MAI, 1x DI transducer block 16x ADM TB, 1x IO TB
Firmware update		Ethernet
Polarity		polarity-sensitive
Rated voltage	U_N	9 ... 35 V
Rated current	I_N	0 mA
Ethernet Interface		
Port		100 BASE-TX
Protocol		TCP/IP and UDP/IP
Services		ICMP , DHCP , AutoIP , HTTP
Connection type		RJ-45 socket, 8-pin
Transfer rate		100 MBit/s
Diagnostic Bus		
Number of Diagnostic Bus Channels		2
Number of Diagnostic Modules/Channel		31 Using Ethernet Interface , 8 Using Fieldbus Interface
Termination		integrated
Cable length/Channel		30 m
Indicators/operating means		
LED ERR		red: Hardware fault
LED PWR		green: Power on
LINK/ACT		yellow
CH1, CH2		yellow: diagnostic bus activity
Outputs		
Output I		alarm output diagnostic bus channel 1 , volt-free contact , NC contact
Voltage		50 V DC
Current		max. 1 A
Output II		alarm output diagnostic bus channel 2 , volt-free contact , NC contact
Voltage		50 V DC
Current		max. 1 A
Output III		common alarm , volt-free contact , NC contact
Voltage		50 V DC
Current		max. 1 A
Galvanic isolation		
All circuits/FE		functional insulation acc. to IEC 62103, rated insulation voltage 50 V _{eff}
Output I, II/other circuits		functional insulation acc. to IEC 62103, rated insulation voltage 250 V _{eff}
Ethernet/Supply		functional insulation acc. to IEC 62103, rated insulation voltage 50 V _{eff}
Ethernet/other circuits		functional insulation acc. to IEC 62103, rated insulation voltage 50 V _{eff}
Fieldbus/other circuits		functional insulation acc. to IEC 62103, rated insulation voltage 50 V _{eff}
Diagnostic Bus/other circuits		functional insulation acc. to IEC 62103, rated insulation voltage 50 V _{eff}
Directive conformity		
Electromagnetic compatibility		
Directive 2014/30/EU		EN 61326-1:2013
Standard conformity		
Galvanic isolation		IEC 62103
Electromagnetic compatibility		NE 21
Degree of protection		IEC 60529
Fieldbus standard		IEC 61158-2
Climatic conditions		DIN IEC 721
Shock resistance		EN 60068-2-27
Vibration resistance		EN 60068-2-6
Ethernet		IEEE 802.3
Ambient conditions		

Release date: 2024-09-20 Date of issue: 2024-09-20 Filename: 239818_eng.pdf

Technical Data

Ambient temperature	-40 ... 60 °C (-40 ... 140 °F) hazardous area -40 ... 70 °C (-40 ... 158 °F) safe area horizontal DIN rail mounting
Storage temperature	-40 ... 85 °C (-40 ... 185 °F)
Relative humidity	< 95 % non-condensing
Shock resistance	15 g 11 ms
Vibration resistance	1 g , 10 ... 150 Hz
Pollution degree	max. 2, according to IEC 60664
Corrosion resistance	acc. to ISA-S71.04-1985, severity level G3
Mechanical specifications	
Housing material	Polycarbonate
Degree of protection	IP20
Mass	470 g
Dimensions	
Height	see dimensions
Width	see dimensions
Depth	see dimensions
Mounting	DIN rail mounting
Data for application in connection with hazardous areas	
Certificate	TÜV 14 ATEX 115980 X
Marking	Ⓜ II 3 G Ex nA IIC T4 Gc
Directive conformity	
Directive 2014/34/EU	EN 60079-0:2012 , EN 60079-11:2012 , EN 60079-15:2010
International approvals	
IECEx approval	IECEx TUN 14.0003X
Approved for	Ex nA IIC T4 Gc
General information	
Supplementary information	Observe the certificates, declarations of conformity, instruction manuals, and manuals where applicable. For information see www.pepperl-fuchs.com .

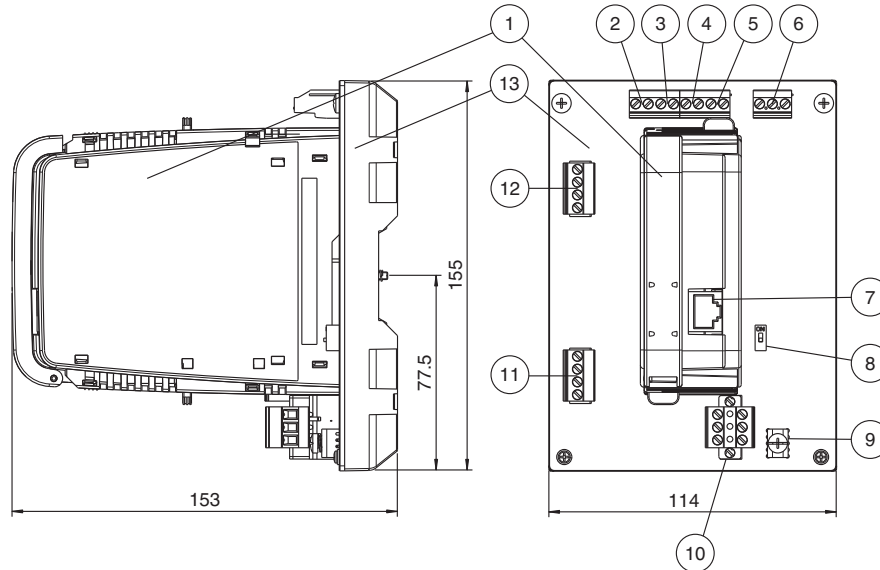
Assembly



Release date: 2024-09-20 Date of issue: 2024-09-20 Filename: 239818_eng.pdf

Additional Information

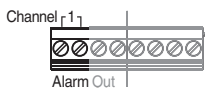
Dimensions and Assembly



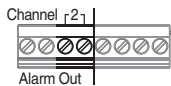
All dimensions in

Description

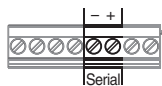
- 1 Diagnostic gateway module HD2-GT-2AD.FF.IO
- 2 Output I:
Alarm output diagnostic bus channel 1, volt-free contact, NC contact



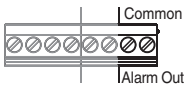
- 3 Output II:
Alarm output diagnostic bus channel 2, volt-free contact, NC contact



- 4 Serial, not used



- 5 Output III:
Common alarm, volt-free contact, NC contact

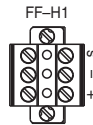


- 6 Bulk power supply connection



- 7 Ethernet, 8-pin RJ45 socket
- 8 Enable/disable simulation switch

- 9 Grounding terminal
- 10 FF-H1



- 11 Diagnostic bus channel 2



- 12 Diagnostic bus channel 1



- 13 Motherboard MB-FB-GT.AD.FF

Release date: 2024-09-20 Date of issue: 2024-09-20 Filename: 239818_eng.pdf