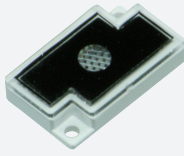
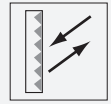


Reflector with micro-structure

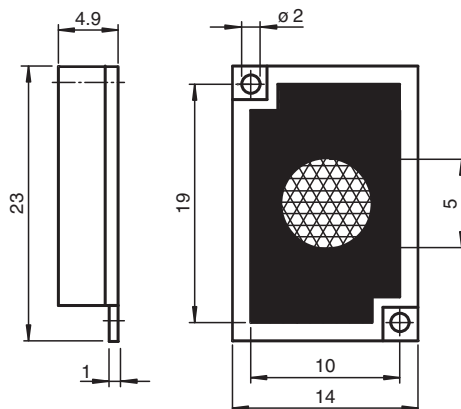
REF-MH23-2



- Micro-structure
- Mounting holes for simple installation
- High switch point accuracy due to 5 mm aperture

Reflector with Micro-structure, rectangular 23 mm x 14 mm, diagonal mounting hole

Dimensions



Technical Data

General specifications	
Construction type	rectangular
Tripel height	approx. 0.9 mm
Ambient conditions	
Ambient temperature	-20 ... 60 °C (-4 ... 140 °F)
Mechanical specifications	
Material	PMMA/ABS
Dimensions	23 mm x 14 mm x 4.9 mm
Mounting	mounting holes

Release date: 2020-03-24 Date of issue: 2020-06-30 Filename: 239985_eng.pdf