

# Female cordset

## V11-W-BK1,5M-PVC-U

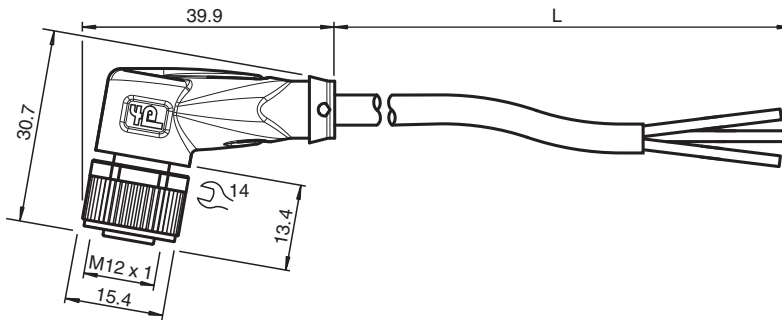


- Degree of protection IP68 / IP69
- UL listed for USA and Canada
- Specific design protects against loosening and inaccurate installation

Female cordset single-ended M12 angled A-coded, 3-pin, PVC cable black, UL approved



### Dimensions



### Technical Data

#### General specifications

|                    |  |                  |
|--------------------|--|------------------|
| <b>Connector 1</b> |  |                  |
| Connection         |  | socket           |
| Construction type  |  | M12              |
| Style              |  | angled           |
| Locking            |  | screw connection |
| Number of pins     |  | 3                |
| Coding             |  | A-coded          |
| <b>Connector 2</b> |  |                  |
| Connection         |  | cable end        |

#### Electrical specifications

|                   |       |                  |
|-------------------|-------|------------------|
| Operating voltage | $U_B$ | max. 250 V AC/DC |
| Operating current | $I_B$ | max. 4 A         |

#### Conformity

|                      |  |                                     |
|----------------------|--|-------------------------------------|
| Degree of protection |  | EN 60529                            |
| Plug connection      |  | connector M12 x 1 : IEC 61076-2-101 |
| Flammability         |  | UL 1581 , IEC 60332-1-2             |

#### Approvals and certificates

|                |  |                                                   |
|----------------|--|---------------------------------------------------|
| UL approval    |  | AWM STYLE 2095 AWM I/II A/B 80°C 300V FT1 (cable) |
| UL File Number |  | E231213                                           |

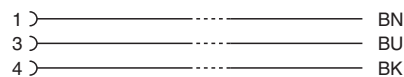
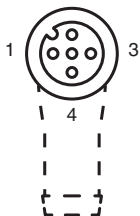
#### Ambient conditions

Release date: 2023-09-04 Date of issue: 2023-09-04 Filename: 239999-100018\_eng.pdf


## Technical Data

|                                  |   |                                                              |
|----------------------------------|---|--------------------------------------------------------------|
| Ambient temperature              |   |                                                              |
| Plug connector                   |   | -40 ... 90 °C (-40 ... 194 °F)                               |
| Cable, fixed                     |   | -25 ... 80 °C (-13 ... 176 °F)                               |
| Cable, flexing                   |   | -5 ... 80 °C (23 ... 176 °F)                                 |
| Pollution degree                 |   | 3                                                            |
| <b>Mechanical specifications</b> |   |                                                              |
| Plug connector                   |   |                                                              |
| Tightening torque                |   | 0.6 Nm                                                       |
| Loosening protection             |   | available                                                    |
| Tool installation                |   | straight knurling and hexagon nut SW = 14 mm                 |
| Mating cycles                    |   | min. 100                                                     |
| Degree of protection             |   | IP68 / IP69                                                  |
| Cable                            |   |                                                              |
| Sheath diameter                  |   | 4.3 mm                                                       |
| Bending radius                   |   | > 15 x cable diameter, moving<br>> 5 x cable diameter, fixed |
| Sheath stripping force           |   | max. 50 N / 300 mm                                           |
| Sheath color                     |   | black (similar to RAL 9005)                                  |
| Number of cores                  |   | 3                                                            |
| Core cross section               |   | 0.34 mm <sup>2</sup>                                         |
| Cores color                      |   | Core 1: brown<br>Core 3: blue<br>Core 4: black               |
| Core construction                |   | 19 x 0.15 mm Ø                                               |
| Length                           | L | 1.5 m                                                        |
| Cable code                       |   | Li YY 3 x 0,34                                               |
| <b>Material</b>                  |   |                                                              |
| Plug connector                   |   |                                                              |
| Screw connection                 |   | Zinc diecast, nickel-plated                                  |
| Body                             |   | TPU, black                                                   |
| Seal                             |   | FKM                                                          |
| Contact surface                  |   | gold plated (Au)                                             |
| Flammability                     |   | V-2                                                          |
| Cable                            |   |                                                              |
| Sheathing                        |   | PVC                                                          |
| Core insulation                  |   | PVC                                                          |
| Flammability                     |   | FT1                                                          |

## Connection



## Accessories

|                                                                                     |                          |                             |
|-------------------------------------------------------------------------------------|--------------------------|-----------------------------|
|  | <b>MH V1-SCREWDRIVER</b> | Torque screwdriver (0.6 Nm) |
|-------------------------------------------------------------------------------------|--------------------------|-----------------------------|

**Accessories**

|                                                                                   |                              |                                                  |
|-----------------------------------------------------------------------------------|------------------------------|--------------------------------------------------|
|  | <b>MH V1-BIT M12</b>         | plug-in cap M12                                  |
|  | <b>V1/V3-LABELHOLDER</b>     | Label holder                                     |
|  | <b>V1/V3-LABEL</b>           | Label plate                                      |
|  | <b>MH V1-Holder</b>          | Modular universal holder for M12 connectors      |
|  | <b>V1-CLIP</b>               | Unlocking protector for M12 connector            |
|  | <b>V1-MARKING-RING-COLOR</b> | Marking rings for M12 connectors, various colors |