

# Female cordset

## V11-W-BK4,6M-PUR-O1

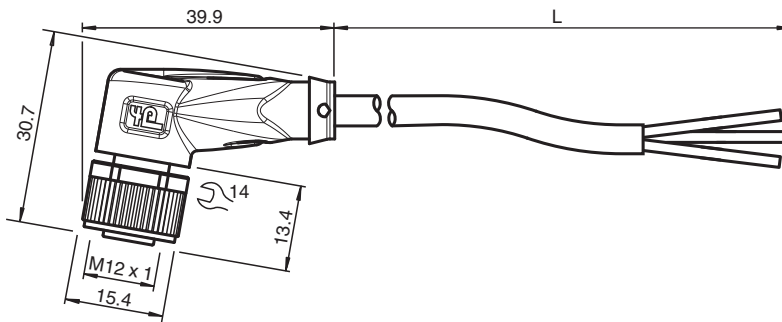


- Suitable for outdoor use (UV- and ozone resistant)
- Suitable for drag chains and abrasion resistant
- Degree of protection IP68 / IP69
- Resistant to microbes and hydrolysis
- Oil resistant
- Resistant to salt water
- UL listed for USA and Canada
- Halogen-free
- Specific design protects against loosening and inaccurate installation

Female cordset single-ended M12 angled A-coded 3-pin, PUR cable black, UL approved, drag chain suitable, outdoor



### Dimensions



### Technical Data

General specifications		
Connector 1		
Connection		socket
Construction type		M12
Style		angled
Locking		screw connection
Number of pins		3
Coding		A-coded
Connector 2		
Connection		cable end
Electrical specifications		
Operating voltage	$U_B$	max. 250 V AC/DC
Operating current	$I_B$	max. 4 A
Conformity		
Degree of protection		EN 60529
Plug connection		connector M12 x 1 : IEC 61076-2-101
Flammability		UL 1581; DIN EN 60332-2-2
Halogen-free		DIN VDE 0472-815 / DIN EN 50267-2-1
UV resistance		on the basis of DIN EN ISO 4892-2-A for 1000 hours
Oil resistance		DIN EN 60811-2-1

Release date: 2024-04-30 Date of issue: 2024-04-30 Filename: 239999-100051\_eng.pdf

## Technical Data

### Approvals and certificates

UL approval	AWM STYLE 21924/11558 105°C 300V AWM I A/B 105°C 300V FT2 (cable)
UL File Number	E231213

### Ambient conditions

Ambient temperature	
Plug connector	-40 ... 90 °C (-40 ... 194 °F)
Cable, fixed	-50 ... 105 °C (-58 ... 221 °F)
Cable, flexing	-30 ... 105 °C (-22 ... 221 °F)
Pollution degree	3

### Mechanical specifications

Plug connector	
Tightening torque	0.6 Nm
Loosening protection	available
Tool installation	straight knurling and hexagon nut SW = 14 mm
Mating cycles	min. 100
Degree of protection	IP68 / IP69
Cable	according to IEC/EN 60228 (DIN VDE 0295) class 6
Sheath diameter	4.5 mm
Bending radius	> 10 x cable diameter, moving > 8 x cable diameter, fixed
Sheath stripping force	max. 50 N / 300 mm
Sheath color	black (similar to RAL 7021)
Number of cores	3
Core cross section	0.5 mm <sup>2</sup>
Cores color	Core 1: brown Core 3: blue Core 4: black
Core construction	28 x 0.15 mm Ø 1 x symmetrically twisted
Length	L 4.6 m
Cable code	Li 9Y 11Y 3 x 0,50
Drag chain suitability	
Drag chain cycles	min. 2000000
Motion velocity	max. 3 m/s
Traverse distance	max. 10 m
Acceleration	max. 10 m/s <sup>2</sup>
Mass	148.75 g

### Material

Halogen-free	yes
Plug connector	
Screw connection	Zinc diecast, nickel-plated
Body	TPU, black
Seal	FKM
Contact surface	gold plated (Au)
Flammability	V-2
Cable	
Sheathing	PUR based on polyether
Cores	bare copper (Cu)
Core insulation	PP
Salt water resistance	yes
UV resistance	yes
Chemical resistance	good
Oil resistance	yes
Cooling lubricant resistance	yes

Release date: 2024-04-30 Date of issue: 2024-04-30 Filename: 239999-100051\_eng.pdf

## Technical Data

Microbial resistance	yes
Hydrolysis resistance	yes
Flammability	FT2

## Connection

