

# Activator

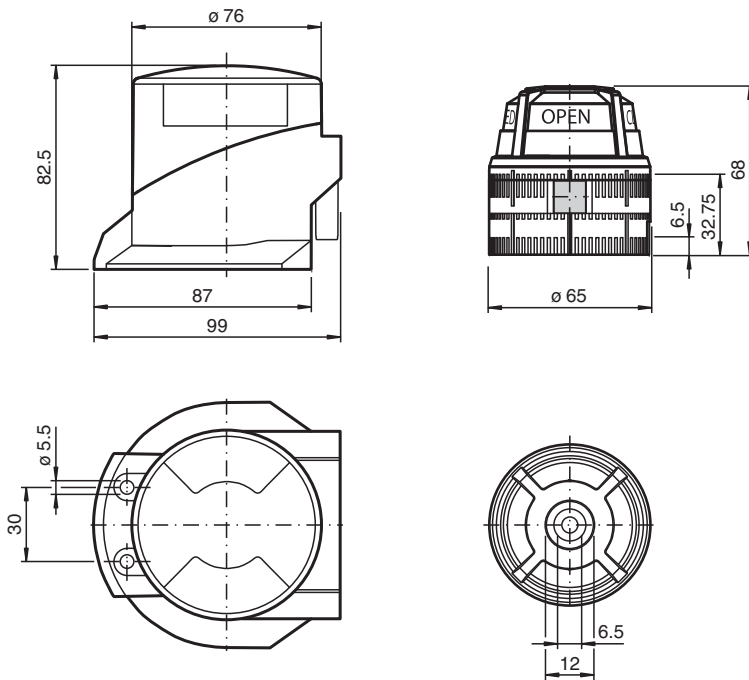
## BT65-F31K2-RG-EN



- High-visibility valve position display
- Protection against contamination and damage
- Two actuation targets in two levels with 5° setting grid
- Suitable for right and left rotating drives

Activator for F31K2 series

### Dimensions



### Technical Data

#### General specifications

Ring diameter	max. 65 mm
Spring ring height	max. 6 mm

#### Nominal ratings

Valve status indicator	red = CLOSED green = OPEN
------------------------	------------------------------

#### Compliance with standards and directives

Standard conformity	
Standards	VDI / VDE 3845

#### Ambient conditions

Ambient temperature	-40 ... 85 °C (-40 ... 185 °F)
---------------------	--------------------------------

#### Mechanical specifications

Release date: 2025-02-25 Date of issue: 2025-02-25 Filename: 240225\_eng.pdf

## Technical Data

Shaft diameter	≤ 49 mm
Shaft height	20 mm and 30 mm
Mounting hole pattern	30 x 80 mm
Material	
Housing	PC
Actuator	PA
Spacer disk	PA (1 unit, 10 mm strong)
Mounting screw	Stainless steel 1.4401 / AISI 316
Activation target	Stainless steel 1.4305 / AISI 303 (integrated)
Tightening torque, fastening screws	≤ 1.5 Nm
<b>General information</b>	
Scope of delivery	1 screw M6 x 30 1 screw M6 x 40 1 Activator for F31K2 series 1 Distance disc 1 Protective Cover Fixing screws

## Function

The activator consists of a conductive plastic material which prevents static charging and allows installation in potentially explosive environments.