

# Connection cable

## V1-W-3,5M-PVC-V1-G

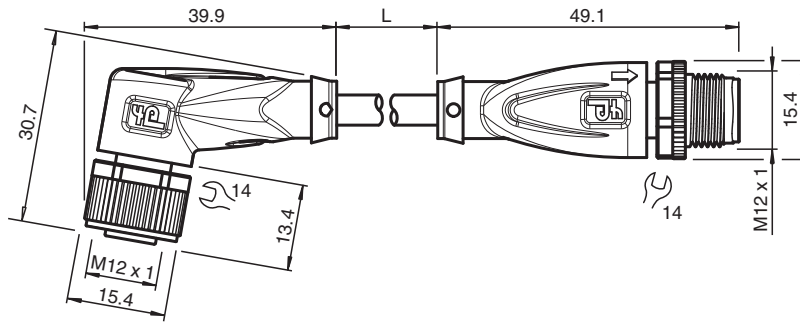


- Degree of protection IP68 / IP69
- Specific design protects against loosening and inaccurate installation

Cordset M12 socket angled to M12 plug straight A-coded, 4-pin, PVC cable grey



### Dimensions



### Technical Data

#### General specifications

|                    |  |                  |
|--------------------|--|------------------|
| <b>Connector 1</b> |  |                  |
| Connection         |  | socket           |
| Construction type  |  | M12              |
| Style              |  | angled           |
| Locking            |  | screw connection |
| Number of pins     |  | 4                |
| Coding             |  | A-coded          |
| <b>Connector 2</b> |  |                  |
| Connection         |  | plug             |
| Construction type  |  | M12              |
| Style              |  | straight         |
| Locking            |  | screw connection |
| Number of pins     |  | 4                |
| Coding             |  | A-coded          |

#### Electrical specifications

|                   |       |                  |
|-------------------|-------|------------------|
| Operating voltage | $U_B$ | max. 250 V AC/DC |
| Operating current | $I_B$ | max. 4 A         |

#### Conformity

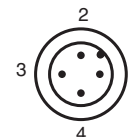
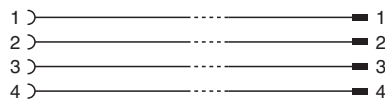
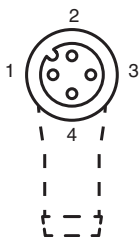
|                      |  |                                     |
|----------------------|--|-------------------------------------|
| Degree of protection |  | EN 60529                            |
| Plug connection      |  | connector M12 x 1 : IEC 61076-2-101 |

Release date: 2023-07-13 Date of issue: 2023-07-13 Filename: 240776-0008\_eng.pdf

## Technical Data

|  |   |  |
|--|---|--|
| Flammability                                     | IEC 60332-2-2   |  |
| <b>Ambient conditions</b>                        |   |  |
| Ambient temperature                              |   |  |
| Plug connector                                   |   | -40 ... 90 °C (-40 ... 194 °F)               |
| Cable, fixed                                     |   | -25 ... 70 °C (-13 ... 158 °F)               |
| Cable, flexing                                   |   | -5 ... 70 °C (23 ... 158 °F)                 |
| Pollution degree                                 | 3   |  |
| <b>Mechanical specifications</b>                 |   |  |
| Plug connector                                   |   |  |
| Tightening torque                                |   | 0.6 Nm                                       |
| Loosening protection                             | available   |  |
| Tool installation                                |   | straight knurling and hexagon nut SW = 14 mm |
| Mating cycles                                    | min. 100  |  |
| Degree of protection                             | IP68 / IP69   |  |
| Cable  |   |  |
| according to IEC/EN 60228 (DIN VDE 0295) class 5 |   |  |
| Sheath diameter                                  | 4.8 mm  |  |
| Bending radius                                   | > 10 x cable diameter, moving                                   |  |
| Sheath stripping force                           | max. 80 N / 300 mm  |  |
| Sheath color                                     | grey (similar to RAL 7001)                                      |  |
| Number of cores                                  | 4   |  |
| Core cross section                               | 0.34 mm <sup>2</sup>  |  |
| Cores color                                      | Core 1: brown<br>Core 2: white<br>Core 3: blue<br>Core 4: black |  |
| Core construction                                | 19 x 0.15 mm Ø  |  |
| Length   | L   | 3.5 m  |
| Cable code                                       | Li Y YM 4 x 0,34  |  |
| <b>Material</b>                                  |   |  |
| Plug connector                                   |   |  |
| Screw connection                                 |   | Zinc diecast, nickel-plated                  |
| Body   | TPU, black  |  |
| Seal   | FKM   |  |
| Contact surface                                  | gold plated (Au)  |  |
| Flammability                                     | V-2   |  |
| Cable  |   |  |
| Sheathing  | PVC   |  |
| Core insulation                                  | PVC   |  |
| Flammability                                     | flame-resistant   |  |

## Connection



## Accessories

|   |                              |  |
|---|------------------------------|--|
|  | <b>MH V1-SCREWDRIVER</b>     | Torque screwdriver (0.6 Nm)                      |
|  | <b>MH V1-BIT M12</b>         | plug-in cap M12                                  |
|  | <b>V1/V3-LABELHOLDER</b>     | Label holder                                     |
|  | <b>V1/V3-LABEL</b>           | Label plate                                      |
|  | <b>MH V1-Holder</b>          | Modular universal holder for M12 connectors      |
|  | <b>V1-CLIP</b>               | Unlocking protector for M12 connector            |
|  | <b>V1-MARKING-RING-COLOR</b> | Marking rings for M12 connectors, various colors |