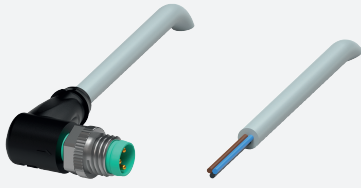


Cable connector

V3S-WM-5M-PUR

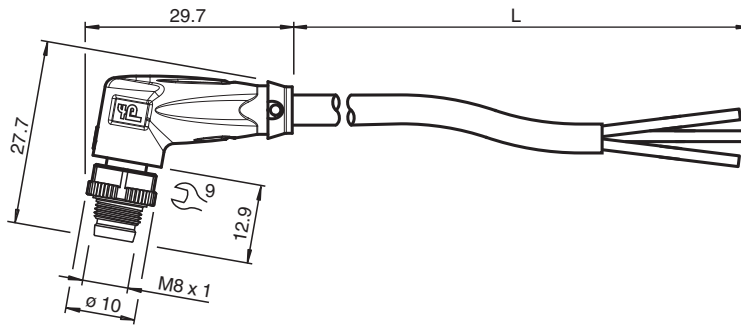


- Degree of protection IP68
- Resistant to microbes and hydrolysis
- Halogen-free
- Specific design protects against loosening and inaccurate installation

Male cordset single-ended M8 angled A-coded, 3-pin, PUR cable grey



Dimensions



Technical Data

General specifications

| | | |
|-------------------|--|------------------|
| Connector 1 | | |
| Connection | | plug |
| Construction type | | M8 |
| Style | | angled |
| Locking | | screw connection |
| Number of pins | | 3 |
| Coding | | A-coded |
| Connector 2 | | |
| Connection | | cable end |

Electrical specifications

| | | |
|-------------------|-------|------------------------|
| Operating voltage | U_B | max. 48 V AC / 60 V DC |
| Operating current | I_B | max. 3 A |

Conformity

| | | |
|----------------------|--|------------------------------------|
| Degree of protection | | EN 60529 |
| Plug connection | | connector M8 x 1 : IEC 61076-2-104 |
| Halogen-free | | IEC 60754-1 |

Ambient conditions

| | | |
|---------------------|--|--------------------------------|
| Ambient temperature | | |
| Plug connector | | -40 ... 90 °C (-40 ... 194 °F) |
| Cable, fixed | | -40 ... 80 °C (-40 ... 176 °F) |

Release date: 2023-09-04 Date of issue: 2023-09-04 Filename: 240808-0001_eng.pdf

Technical Data

| | | |
|----------------------------------|---|--|
| Cable, flexing | | -20 ... 80 °C (-4 ... 176 °F) |
| Pollution degree | | 3 |
| Mechanical specifications | | |
| Plug connector | | |
| Tightening torque | | 0.4 Nm |
| Loosening protection | | available |
| Tool installation | | straight knurling and hexagon nut SW = 9 mm |
| Mating cycles | | min. 100 |
| Degree of protection | | IP68 |
| Cable | | according to IEC/EN 60228 (DIN VDE 0295) class 5 |
| Sheath diameter | | 4.3 mm |
| Bending radius | | > 15 x cable diameter, moving > 8 x cable diameter, fixed |
| Sheath stripping force | | max. 80 N / 500 mm |
| Sheath color | | grey (similar to RAL 7001) |
| Number of cores | | 3 |
| Core cross section | | 0.25 mm ² |
| Cores color | | Core 1: brown Core 3: blue Core 4: black |
| Core construction | | 14 x 0.15 mm Ø |
| Length | L | 5 m |
| Cable code | | Li 9Y 11Y 3 x 0,25 |
| Drag chain suitability | | |
| Drag chain cycles | | max. 50 / day |
| Motion velocity | | max. 0.3 m/s |
| Material | | |
| Halogen-free | | yes |
| Plug connector | | |
| Screw connection | | Zinc diecast, nickel-plated |
| Body | | TPU, black |
| Contact surface | | gold plated (Au) |
| Flammability | | V-2 |
| Cable | | |
| Sheathing | | PUR based on polyether |
| Core insulation | | PP |
| Chemical resistance | | good |
| Microbial resistance | | yes |
| Hydrolysis resistance | | yes |

Connection



| | | |
|---|-------|----|
| 1 | ————— | BN |
| 3 | ————— | BU |
| 4 | ————— | BK |

Accessories

| | | |
|---|--------------------------|--|
|  | MH V3-SCREWDRIVER | Torque screwdriver (0.4 Nm) |
|  | MH V3-BIT M8 | plug-in cap for M8 |
|  | V1/V3-LABELHOLDER | Label holder |
|  | V1/V3-LABEL | Label plate |
|  | MH V3-Holder | Modular universal holder for M8 connectors |